

# Crompton

## HORNET LED FLOODLIGHT

DESIGNED TO  
DISAPPEAR

AVAILABLE IN 2 SIZES 20W & 40W

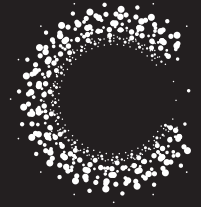


ADJUSTABLE HEAD  
WITH **300° HORIZONTAL**  
AND **200° VERTICAL**  
FLEXIBLE ROTATION



THE SMALLEST, SLIMLINE LED  
THAT FITS ANYWHERE.





## HORNET LED FLOODLIGHT

### Features

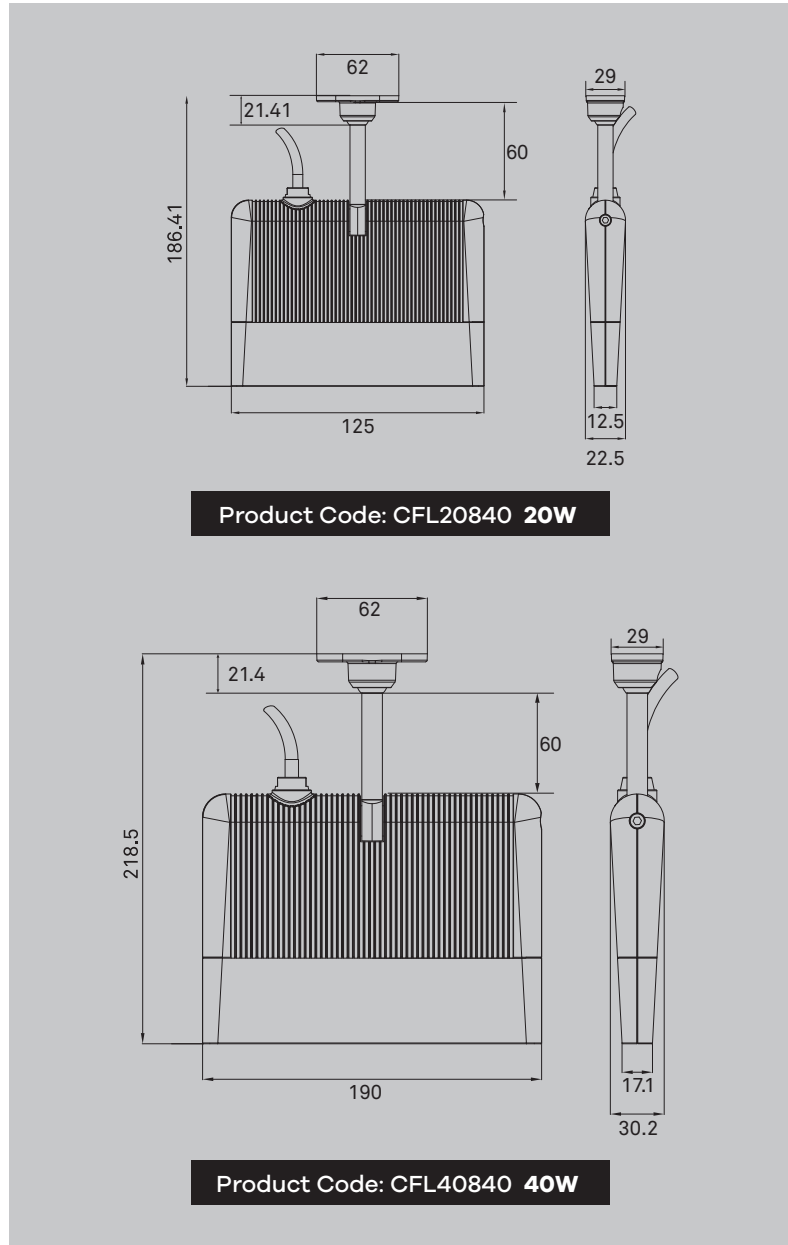
- Adjustable head 300° horizontal, 200° vertical with flexibility to direct the light (up/down/sideways)
- Slimline and compact, designed to disappear when mounted under eave
- Complete with 1m fly lead for easy installation
- Retro-fit accessory included for easy installation onto existing floodlights mounting points
- Integrated driver and LED modules
- Engineered to deliver absolute focus, optimum performance and robustness
- Die-cast aluminium body, polycarbonate lens
- IP66 rating protects the light fixture from water spray and dust ingress
- Cool white colour temperature; ideal for general & task lighting
- Ideal for lighting outdoor entertaining areas, BBQ areas and access areas

### Performance

- Ingress Protection: IP66
- Wattage: 20W and 40W
- Voltage: 240V
- Light Colour Temperature: 4000K Cool White
- Lumen output: 20W 1600lm; 40W 3500lm
- Colour Rendering Index: CRI 80
- 3 year warranty
- Non dimmable

### Compliance

- AS/NZS60598



Product Code: CFL20840 20W

Product Code: CFL40840 40W

PRODUCT CODE	DESCRIPTION	WATTAGE	VOLTAGE	COLOUR TEMP (K)	LUMENS	BEAM ANGLE	AVERAGE LIFE	DIMENSIONS (MM)	DIMMABLE	MASS (KG)
CFL20840	Hornet 20W LED Flood 4000K Black	20W	240V	4000K	1600lm	120°	30,000hrs*	L187 x W125 x H23	No	0.42
CFL40840	Hornet 40W LED Flood 4000K Black	40W	240V	4000K	3500lm	110°	50,000hrs*	L218.5 x W190 x H30.2	No	0.95



\*Actual product life may vary dependant upon frequency of maintenance and product application.