



brillianttrade.com.au

# VECTOR-III 48" AC CEILING FAN

## MORE POWERFUL MOTOR MORE AIRFLOW CCT SWITCH ON LED ARRAY



Wall control Included

<b>60W</b> AC MOTOR	<b>ABS</b> BLADES & BODY	<b>48</b> INCH 1220mm	<b>12,600</b> m <sup>3</sup> /hr AIRFLOW	<b>15°</b> CEILING RAKE MAX	<b>18W</b> 1400 LM MAX	TRI-COLOUR CCT SWITCH	DIMMING	<b>6YR</b> WARRANTY	<b>EZI-FIT BLADES</b> QUICK & EASY INSTALLATION
------------------------	-----------------------------	-----------------------------	--	-----------------------------------	------------------------------	--------------------------	---------	------------------------	--

The all ABS, EZI-FIT Vector Fan now comes with added features such as CCT LED light, increased airflow for even better performance, and polyfoam-free packaging for easier disposal. Definitely the tradie's choice for ceiling fans!

- Patented\* Ezi-Fit blades reduce fan assembly and installation time
- Durable corrosion and UV resistant body and canopy construction with high strength moulded ABS blades
- 3 speed wall control with switch included
- Reversible All-Seasons technology for use all year round
- 85% pre-assembled out of the box for fast installation
- Powerful 60W AC motor
- 18W 1400lm CCT (3000K/4200K/6000K) dimmable LED light kit
- TRI color CCT switch on LED array to prevent accidental color change
- Suitable for indoor or enclosed alfresco areas
- Compatible with Brilliant remotes and BrilliantSmart fan controllers



See demonstration video



PURE WHITE NO LIGHT



PURE WHITE CCT LIGHT



MATT BLACK NO LIGHT



MATT BLACK CCT LIGHT

### APPLICATIONS

- Bedrooms, lounge and family rooms
- Indoors or enclosed alfresco areas not exposed to the weather

### LED COLOUR TEMPERATURE CHANGING

<b>3000K</b> WARM WHITE	<b>4200K</b> COOL WHITE	<b>6000K</b> NATURAL WHITE
----------------------------	----------------------------	-------------------------------





brillianttrade.com.au

# VECTOR-III 48" AC CEILING FAN

## TECHNICAL SPECIFICATIONS

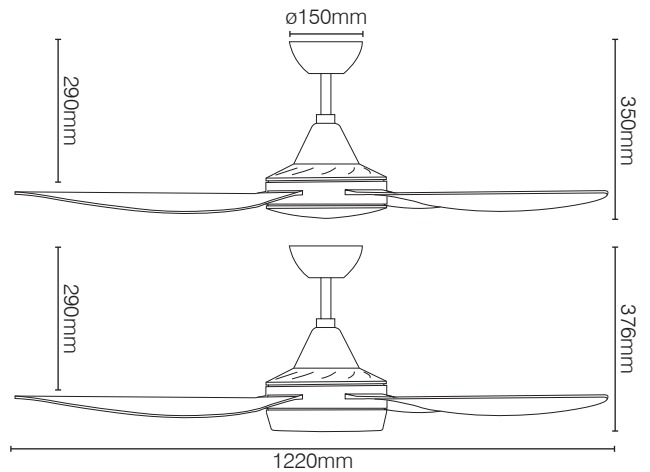
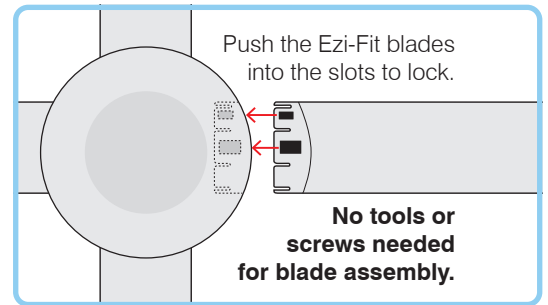
<b>Size</b>	48 inch (1220mm)
<b>Motor Type</b>	AC (Alternate Current)
<b>Operating Voltage</b>	220-240V AC / 50 Hz
<b>Motor Wattage</b>	60W
<b>Construction</b>	ABS body and canopy
<b>Blade Material</b>	Moulded ABS (x4)
<b>Ceiling install</b>	Hangsure
<b>Blade Pitch</b>	14 degree (effective)
<b>Ceiling Rake</b>	15 degree max
<b>Control</b>	Wall 3 speed with on/off switch (included)
<b>Light Wattage:</b>	18W
<b>Colour Temperature:</b>	3000K / 4200K / 6000K
<b>Lumens:</b>	1400lm (CCT)
<b>Dimmable:</b>	Yes
<b>Other models available</b>	21548/05 - 52" PURE WHITE NO LIGHT 21548/06 - 52" MATT BLACK NO LIGHT 22293/05 - 52" PURE WHITE CCT LIGHT 22293/06 - 52" MATT BLACK CCT LIGHT 22563/05 - 56" PURE WHITE NO LIGHT 22563/06 - 56" MATT BLACK NO LIGHT 22565/05 - 56" PURE WHITE CCT LIGHT 22565/06 - 56" MATT BLACK CCT LIGHT
<b>Warranty</b>	3 year in-home plus 3 year replacement (6-Year) *Limited warranty for wall controller, remote controller and light. Refer to warranty card inside the box for more details.
<b>Standards:</b>	AS/NZS 60335-1 AS/NZS 60335-2-80 AS/NZS 60598-1 AS/NZS 60598-2-1
<b>Patent:</b>	2018201157
<b>Airflow:</b>	12,600 m3/hr Max

## ACCESSORIES (sold separately)

Extension Rod with loom kits, 900mm x Ø21mm:	100550/05 white, 100550/06 matt black
Extension Rod with loom kits, 1800mm x Ø21mm:	21912/05 white 21912/06 matt black
Remote Kits	99999 Basic 99222 LCD Display 99111 Smart WiFi 99444 Basic 99888 Wall WiFi 99777 Wall Multi Fan 88888 Touch

## INSTALLATION

Must be installed by a licensed electrician



	MODEL	COLOUR	DESCRIPTION	BOX SIZE	GROSS WEIGHT	BOX QTY	BARCODE/TUN	
<b>RETAIL BOX</b>	21546/05	Pure White	Vector-III 48	W591 x H318 x D288 mm	6.5 kg	1 pc		
	21546/06	Matt Black	AC Fan				9 312641 215462 >	9 312641 218012 >
<b>RETAIL BOX</b>	22291/05	Pure White	Vector-III 48	W591 x H318 x D288 mm	6.7 kg	1 pc		
	22291/06	Matt Black	AC Fan & Light				9 312641 222910 >	9 312641 222927 >