



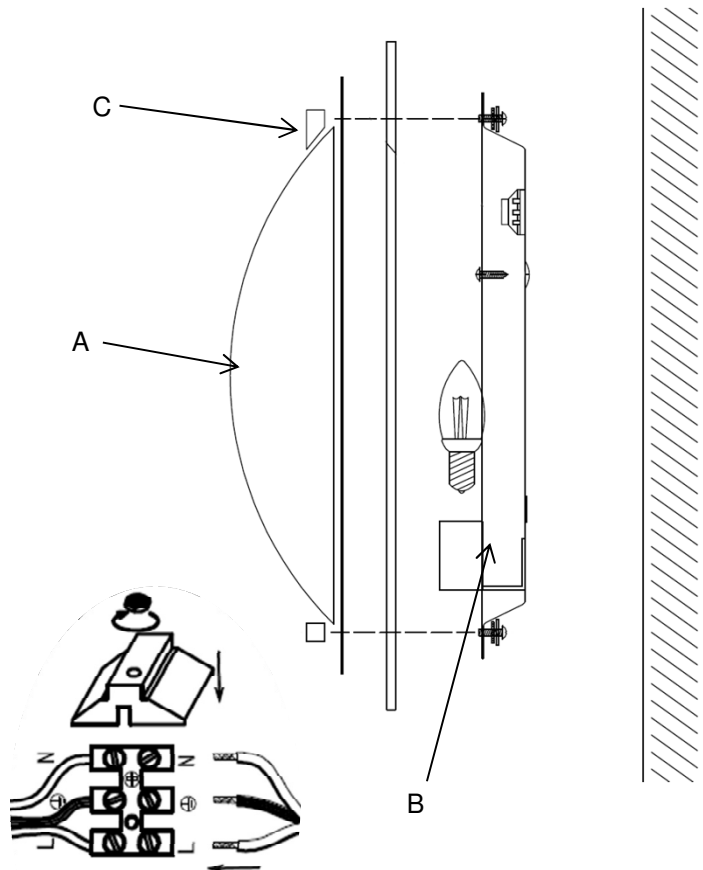
# Frances Ceiling Light 17564, 17565

Before first using your new Brilliant Frances Ceiling light it is most important that you read and follow these instructions, even if you feel you are quite familiar with this type of product. Find a safe place and keep this document handy for future reference.

**THIS FITTING MUST BE INSTALLED BY A QUALIFIED ELECTRICAL CONTRACTOR**

## Installation Instructions:

1. Ensure mains supply is switched off.
2. Unpack the fixture carefully and place it on a flat surface.
3. Remove the diffuser 'A' from the light body 'B' by turning two or more of the diffuser retainers 'C' away from the diffuser and removing diffuser glass from lamp body 'B'.
4. Drill holes in the ceiling using the holes in the light body 'B' as a template.
5. Use screws and suitable fixture system to secure the backing plate to the ceiling ensuring that the mains wire is through the entry hole.
6. Connect the Live(L), Neutral(N) and Earth (⏚) according to the markings on the terminal block.
7. Fit the correct E27 max 20W CFL globe(s) into the lamp holder.
8. Reinstall the diffuser and trim and hold in place via diffuser retainers.
9. Reconnect power and switch on the light



## WARNING:

- Not for exterior use.
- This fitting must be earthed.
- Failure to follow these instructions will result in breakages and will invalidate warranty.
- For safety reasons, any installation, repair or inspection must be done by authorized personnel
- If product is functioning irregularly, please TURN OFF the power and contact the nearest authorized dealer.
- Do not perform modification or change parts within the light fixture.

## SPECIFICATIONS:

**Fitting:** Metal Body with glass diffuser and steel trim

**Globe:** E27 MAX 20W CFL

**Protection :** Class I. Requires earth connection.

**Voltage:** 240V - 50Hz



## Frances Ceiling Light 17564, 17565

### **Warranty:**

Brilliant Lighting warrants this product against defects in manufacture and workmanship for a period of 2 years from date of purchase. For products used in non-domestic or commercial applications, Brilliant Lighting warrants this product for a period of 3 months from date of purchase. This warranty is only valid for products installed by a qualified electrical contractor and operated within the guidelines specified by Brilliant Lighting, and within the correct operating voltage ranges as stated on the product's rating label.

Warranty does not include damage or loss arising from incorrect installation, operation or maintenance of this product, damage caused through modification, incorrect installation, service by unqualified or unauthorised personnel or lack of regular maintenance and cleaning. Proof of installation by qualified personnel may be required, eg. Electrical Safety Certificate. Proof of purchase must be supplied with all warranty claims.

This warranty is provided in addition to any other rights and remedies of the customer under any law. In applications not intended for household, personal or domestic use, liability is limited to replacement or reimbursement of product only.

*Our goods come with guarantees that can not be excluded under the Australian Consumer Law. You are entitled to a replacement or refund for a major failure and compensation for any other reasonably foreseeable loss or damage. You are also entitled to have the goods repaired or replaced if goods fail to be acceptable quality and the failure does not amount to a major failure.*

Any claim under this warranty must be made within 2 years of the date of purchase of the product. To make a claim under the warranty, take the product (with proof of purchase – receipt or similar) to the store where you purchased the product or contact Brilliant Lighting at the address below.

This warranty is given by:

**Brilliant Lighting (Aust)Pty. Ltd.**  
**ABN 37 006 203 694**  
**956 Stud Road Rowville, VIC 3178**  
**Phone: 03 9765 2555**  
**Email: [info@brilliant-lighting.com.au](mailto:info@brilliant-lighting.com.au)**  
**MADE IN CHINA**