



CAYO LED Slim Batten

Model No	20997/05	20998/05
[W]	25W	48W

Before first using your new Brilliant fitting it is most important that you read and follow these instructions, even if you feel you are quite familiar with this type of product. Retain this document for future reference.

THIS FITTING MUST BE INSTALLED BY A QUALIFIED ELECTRICIAN



Specifications:

- Fitting: Fixed slimline LED luminaire with aluminium body and PC diffuser.
- Rated Voltage: 240VAC 50Hz.
- Light Source: LED 25W (20997/05), 48W (20998/05).
- Protection Class : Class I luminaire. For indoor Use.
- Fixing: Surface mounted. Intended to be used while fastened to a support.
- Dimming: Non Dimmable.

Dimensions:

Model	Watts	L (mm)	W (mm)	H (mm)
20997/05	25W	600	120	45
20998/05	48W	1200	120	45

Warning:

- Installation, repair and/or inspection must be conducted by qualified personnel in accordance with Australian Standards and Building codes.
- Do not install in a position where the fitting can be easily accessed by children or infirm persons.
- This fitting must be earthed.
- Do not perform fitting when switched ON.
- This fitting is not dimmable.
- Ensure fitting is kept as far as possible from heat sources when installed.
- Failure to follow these instructions will void the warranty.

Environmental Protection:

This electrical product should not be disposed as normal waste. Please always recycle! Check with your Local Council about your recycle options.





CAYO LED Slim Batten

Model No	20997/05	20998/05
[W]	25W	48W

FIG 4

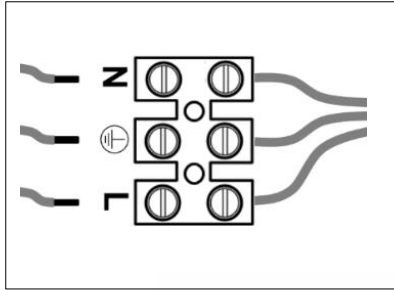
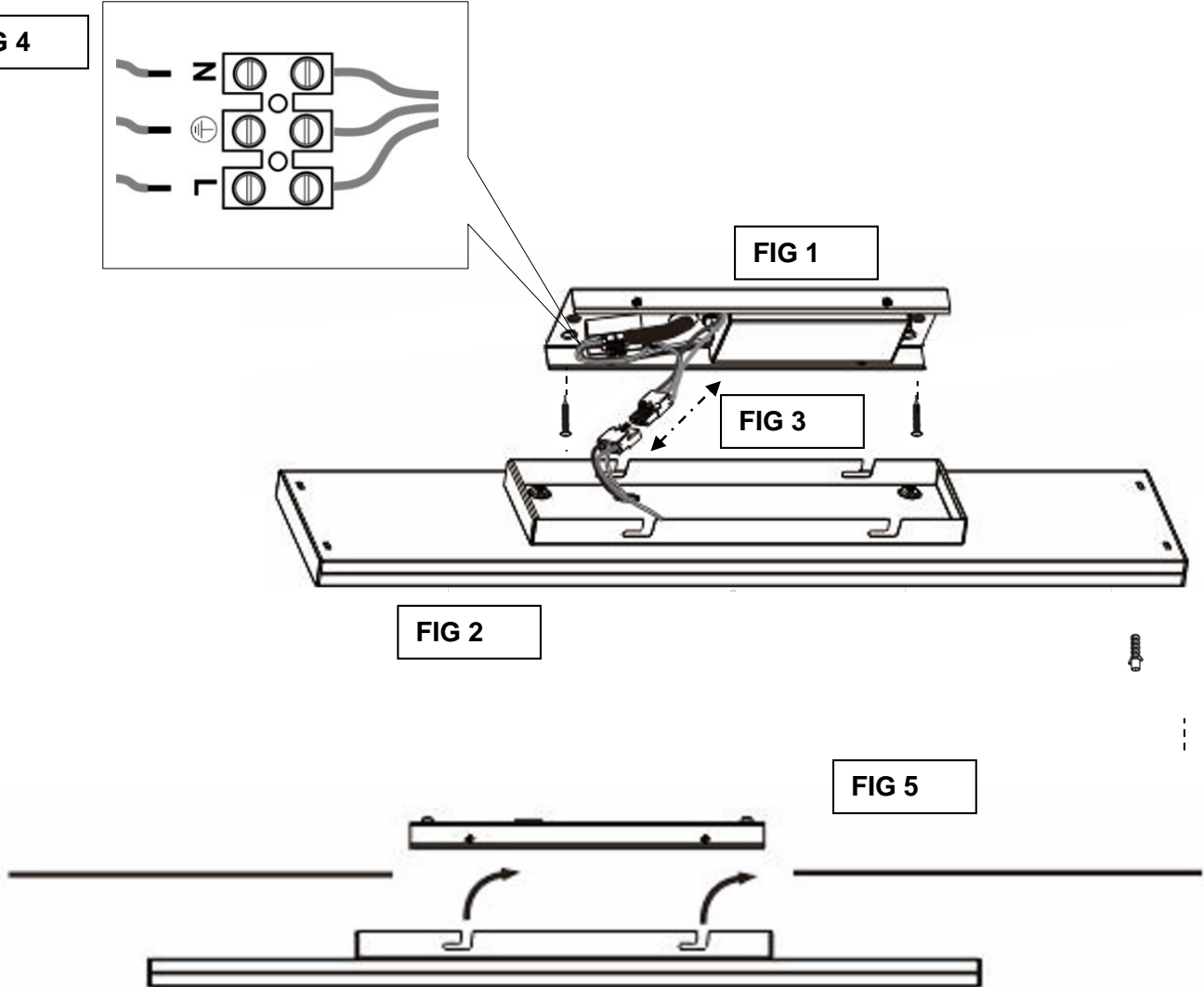


FIG 1

FIG 3

FIG 2

FIG 5



Installation Instructions:

1. Ensure mains supply is switched OFF.
2. Unscrew and slide Driver/Mounting bracket(Figure 1.) off LED Batted (FIG 2.)
3. Disconnect Driver from LED power input connection joiner (Fig 4.)
4. Use fitting as a template to drill mounting and cable entry holes (Figure 2).
5. Mount the fitting using screws provided (and Rawl plugs if necessary).
6. Connect mains wiring to terminal block (Figure 3).
7. Refit LED Batten to Driver/Mounting Bracket as per diagram (FIG 5)
8. Tighten locking screws. Batten and mounting plate installation is now complete.
9. Turn the power on.



CAYO LED Slim Batten

Model No	20997/05	20998/05
[W]	25W	48W

Warranty:

Brilliant Lighting warrants this product against defects in manufacture and workmanship for a period of 2 years from date of purchase. This warranty is only valid for products installed and operated within the guidelines specified by Brilliant Lighting, and within the correct operating voltage ranges as stated on the product's rating label.

Warranty does not include damage or loss arising from incorrect installation, operation or maintenance of this product, damage caused through modification, incorrect installation, service by unqualified or unauthorised personnel or lack of regular maintenance and cleaning. Proof of installation by qualified personnel may be required, e.g. Electrical Safety Certificate. Proof of purchase must be supplied with all warranty claims.

This warranty is provided in addition to any other rights and remedies of the customer under any law. In applications not intended for household, personal or domestic use, liability is limited to replacement or reimbursement of product only. Brilliant Lighting does not warranty the costs of removal or re-installation of this product or associated components.

Our goods come with guarantees that cannot be excluded under the Australian Consumer Law. You are entitled to a replacement or refund for a major failure and compensation for any other reasonably foreseeable loss or damage. You are also entitled to have the goods repaired or replaced if goods fail to be of acceptable quality and the failure does not amount to a major failure.

Any claim under this warranty must be made within the specified warranty period from date of purchase of this product. To make a claim under the warranty; at your own expense take the product (with proof of purchase – receipt or similar) to the store where you purchased the product or contact Brilliant Lighting at the address below

This warranty is given by:

Brilliant Lighting (Aust) Pty. Ltd.

ABN 37 006 203 694

956 Stud Road Rowville, VIC 3178

Phone: 03 9765 2555

Email: warranty@brilliantlighting.com.au

www.brilliantlighting.com.au