



INSTALLATION MANUAL

THIS CEILING FAN MUST BE INSTALLED BY A QUALIFIED ELECTRICIAN, AND AN ELECTRICAL SAFETY CERTIFICATE MUST BE ISSUED ON COMPLETION OF THE INSTALLATION

Congratulations on the purchase of your new quality Brilliant Ceiling Fan. Before first using, it is most important that you read and follow the instructions in this Installation Manual, even if you feel you are quite familiar with this type of product.

Find a place and keep this manual handy for future reference.

Model Name: COSTA 52" DC CEILING FAN WITHOUT LIGHT		
Code	Colour	Size
22945/05	Matt White	52" (1320mm)

Model Name: COSTA 52" DC CEILING FAN WITH CCT DIMMABLE LED LIGHT		
Code	Colour	Size
22947/05	Matt White	52" (1320mm)

22945/05



22947/05



IMPORTANT SAFEGUARDS

Read all instructions carefully, even if you feel you are quite familiar with this type of appliance.

When using electrical appliances, in order to reduce the risk of fire, electric shock, and/or injury, these basic safety precautions should always be followed:

1. This appliance **MUST** be installed by a Qualified Electrical Contractor in accordance with the local regulations, and all local, state and national electrical codes. Any alterations or additions to building wiring must be completed by a licensed electrical contractor, or person authorised by legislation to work on the fixed wiring of any electrical installation.
2. This appliance is not intended for use by persons (including children) with reduced physical, sensory or mental capabilities, or lack of experience and knowledge, unless they have been given supervision or instruction concerning use of the appliance by a person responsible for their safety.
3. Children should be supervised to ensure that they do not play with the appliance.
4. The ceiling fan must be connected to a 220/240V AC 50Hz power supply.
5. All electrical work must only be undertaken after disconnection of the power by removing fuses or turning off the circuit breaker, to ensure all pole isolation of the electrical supply.
6. **WARNING:** If unusual oscillating movement is observed, immediately stop using the ceiling fan and contact licensed electrician or customer service.
7. Replacement of parts of the safety suspension system device and mounting of the suspension system shall be performed by licensed electrician.
8. The fan must be earthed.
9. The fan must be installed so that the blades are more than 2.1 metres above the floor.
10. The structure that the ceiling fan is connected to must be capable of supporting a weight of at least 45kg. The fixing must be able to support the moving weight of the fan and must not twist or work loose.
11. Make sure that the installation site will not allow the rotating fan blades to come into contact with any object and that there is a minimum clearance of 150mm (6") from the blade tip to the wall or ceiling. Please note that the bigger this clearance is the better the airflow from your fan will be.
12. **DO NOT** use outdoors unless covered. Refer to Warranty terms for Alfresco use.
13. **DO NOT** connect the fan motor to a dimmer switch. This may damage the motor. Use **ONLY** the provided wall controller **OR** remote control.
14. It is not recommended that ceiling fans and gas appliances be operated in the same room at the same time.
15. Advise turn the fan speed to lower rate (eg. #1 or #2) before reversing the fan direction. This will prevent any damage to the motor of the fan or controller (if installed).
16. Do not insert anything into the fan blades whilst they are spinning. This will damage the blades and upset the balance of the fan causing the unit to wobble.
17. After the fan is completely installed make sure that all base and fan blade fixations are secured and tightened to prevent any problems.
18. Because of the fan's natural movement, some connections may loosen. Check the support connections, brackets and blade attachments twice a year to make sure they remain secured. If any are loose, tighten.
19. **DO NOT** use a solid-state dimmer type fan controller. Use **ONLY** the provided switch controller for fan speed control. (if applicable)
20. An all-pole disconnection incorporated in the fixed wiring is to be provided, such as a n all-pole switch or a supply cord fitted with a plug.
21. If a remote control is installed, remove the wall controller. (if applicable)
22. Beware of height installation closure.
23. A blade balancing kit is included. Ensure blades are balanced immediately after installation to reduce wobble and noise.
24. The LED module is a non-replaceable light source, and shall only be replaced by the manufacturer, its service agent, or suitably qualified persons.

IMPORTANT NOTE:

The important safeguards and instructions given in this manual are not meant to cover all possible conditions and situations that may occur. It must be understood that common sense, caution and care are factors which cannot be built into any product. The persons caring for and using the unit must supply these factors.

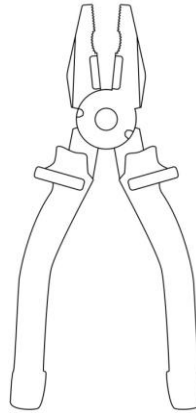
SUGGESD TOOLS NEEDED



LADDER



WIRE STRIPPERS



SNUB NOSE
PLIERS



SCREWDRIVERS



WARNING

1. To avoid fire or electric shock, follow all wiring instructions carefully.
2. Turning off wall switch is not sufficient. To avoid possible electrical shock, be sure electricity is turn off at the main fuse box before wiring.
3. Do not install or use fan if any part is damaged or missing.
4. This product is only designed to use only those parts supplied with this product and/or any accessories designated specifically for use with this product by Brilliant Lighting. Substitutions of parts or accessories not designated for use with this product by Brilliant Lighting could result in personal injury or property damage.



**MUST BE
INSTALLED
BY A LICENSED
ELECTRICIAN**

CONTENTS

UNPACKING

- Preparation
- Part lists

INSTALLATION

- Choosing a suitable location
- Mounting the hanging plate
- Electrical connections
- Hanging the fan
- Attach blades and bottom cover (without light model)
- Attach light kit and lamp cover (with light model)
- Correcting any wobble

REMOTE CONTROLLER – FUNCTIONS & PAIRING SETUP

- Operations
- Setup
- Setup for multiple fans

MAINTENANCE

- Care & cleaning
- Noise
- Wobble
- Normal wear & tear
- Ripple control filter

TROUBLESHOOTING

- Technical data
- Spare parts.

WARRANTY

UNPACKING

PREPARATION:

- Unpack your ceiling fan carefully, and dispose of the packaging materials thoughtfully. Place all parts and components, on a cloth or soft surface to avoid damage. DO NOT lay the motor housing on its side, the housing may get damaged.
- Before commencing installation, check that all parts are included. NB: You may need to remove all packaging material to ensure there are no missing components.

PART LISTS:

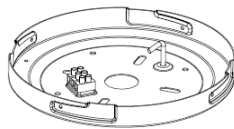
A. Fan Without Light Kit



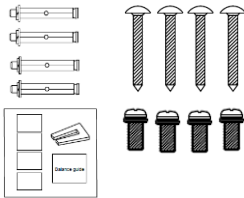
Fan Motor



Bottom Cover



Ceiling Mounting Plate



Mounting screws and blade balancing kit



Fan Blade (x3)
Blade screws(x7)

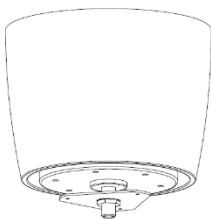


Remote Control

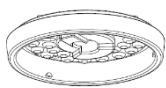


Receiver without light

B. Fan With Light Kit



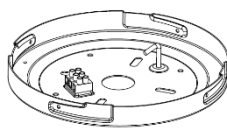
Fan Motor



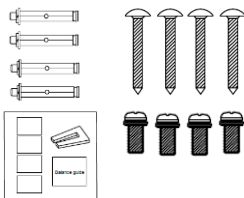
LED kit



Lamp cover



Ceiling Mounting Plate



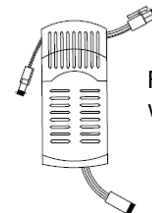
Mounting screws and blade balancing kit



Fan Blade (x3)
Blade screws(x7)



Remote Control

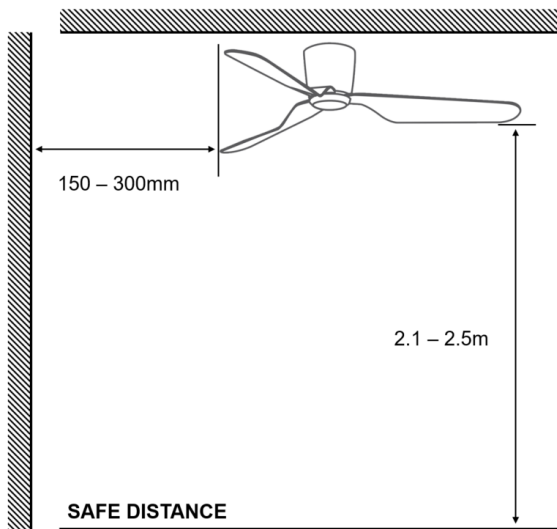


Receiver with light

INSTALLATION

CHOOSING A SUITABLE LOCATION:

- Ceiling fans should be installed in the middle of the room, with a safe distance of at least 2.1m from floor, and 150mm from wall.
- ONLY installed on a flat ceiling.

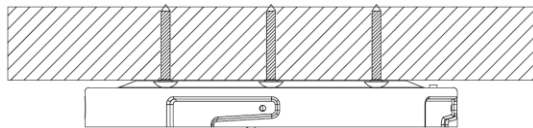


CAUTION: Before installing the fan, make sure you have turned OFF the electricity supply.

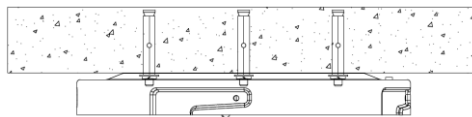
MOUNTING THE HANGING PLATE

- Secure the hanging bracket to the ceiling joist or suitable structure that is capable of carrying a load of at least 45kg, with the four long fixing screws provided. Ensure that at least 30mm of the screw is threaded into the support.

NB: The fixing screws included are designed for use when ceiling fan is secured onto timber joists and concrete ceiling. For all other surfaces, additional and suitable fixing screws for that surface will need to be purchased.



Mounting the plate to a wooden ceiling



Mounting the plate to a concrete ceiling

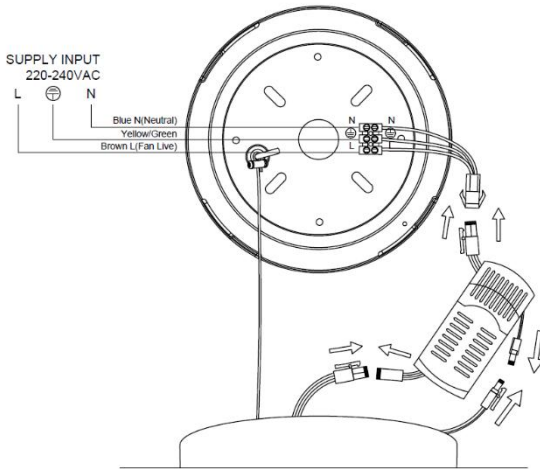
NOTE: Ensure building cable will enter the canopy close to terminal block .

- Make sure that the position of installation will not allow the blades to come into contact with any object. The fan must be mounted so that the tips of the blades are **at least** 2.1 metres above the floor.

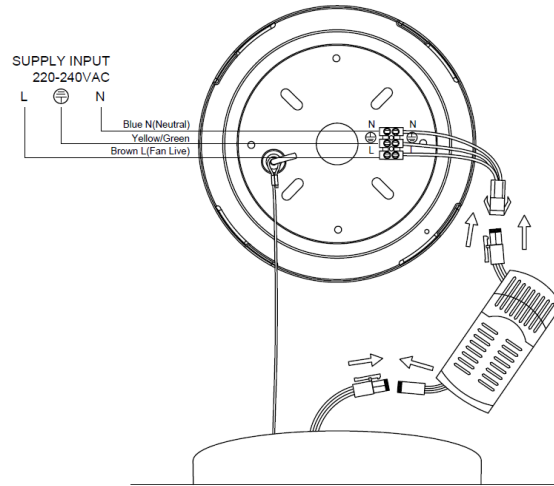
INSTALLATION

ELECTRICAL CONNECTIONS

- The building cable should enter the canopy about 10-15mm from the terminal block.
- Connect the mains supply L-Active, N-Neutral & Earth cable to the terminal at mounting bracket as per marking on it. Ensure connections are firm. For your convenience, and to assist in easy installation & cleaning, your ceiling fan is connected with Brilliant's easy connect system. Simply connect the male and female couplings, and then ensure remote control receiver and all excess wiring is retained inside the ceiling canopy. **Ensure installed a wall isolation switch (NOT INCLUDED).**

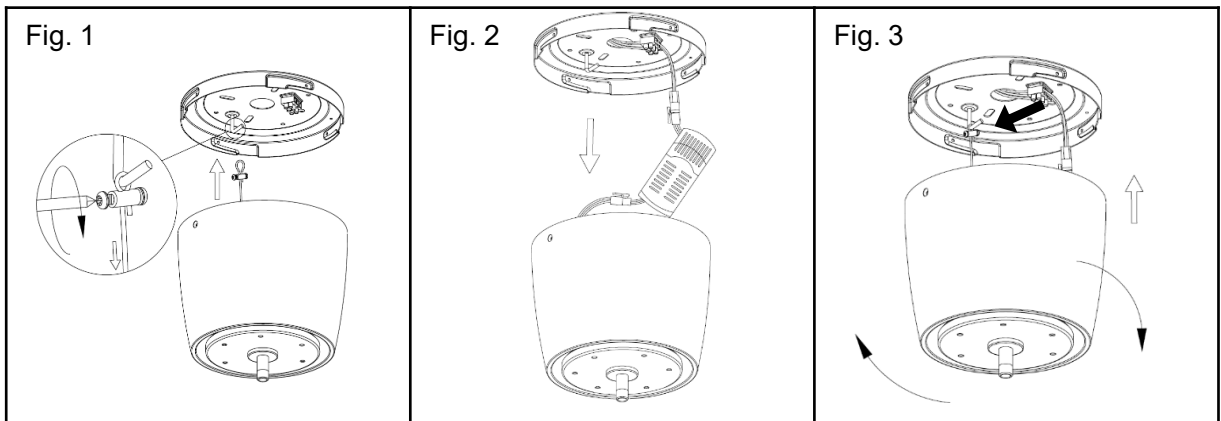


Wiring diagram for fan with light



Wiring diagram for fan without light

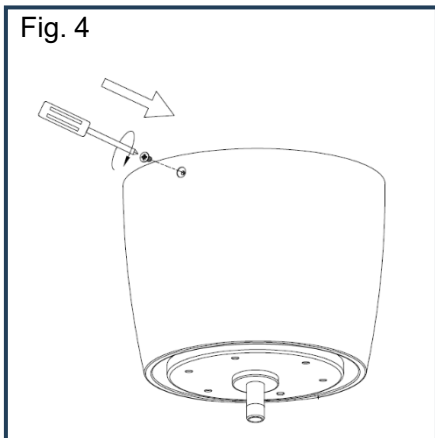
HANGING THE FAN



1. Carefully lift the fan, hang the safety wire into the hook located on the mounting plate. Use a screwdriver to tighten the safety wire at the hook properly.(Fig.1)
2. Refer to the "electrical connections" section and connect the building wires to the terminal block and connect the receiver to the fan motor wires.(Fig.2)
3. Place the receiver into the motor assembly, lift and twist the motor assembly to the mounting plate locking slots until the screw holes on the mounting plate and motor assembly align each other.(Fig.3)

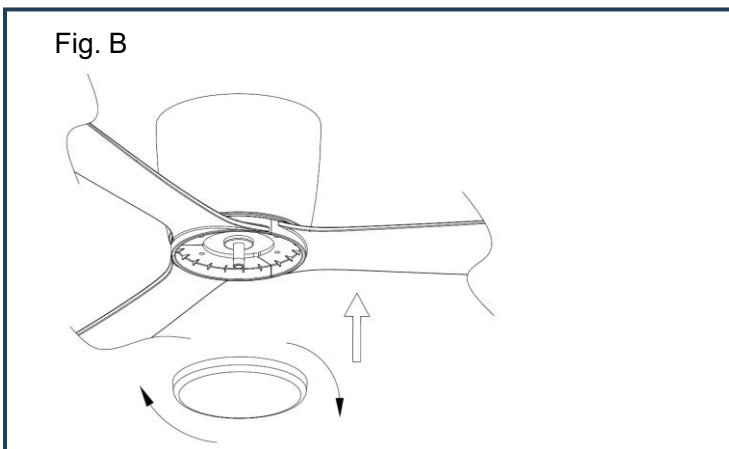
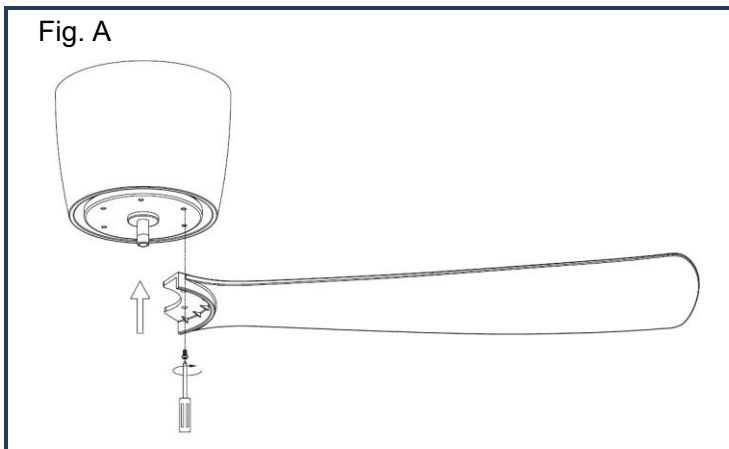
INSTALLATION

HANGING THE FAN (Continues)



4. Secure the motor assembly to the mounting plate with the four screws provided. (Fig.4)

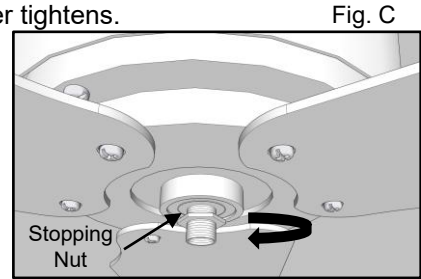
ATTACH BLADE & BOTTOM COVER(without light model)



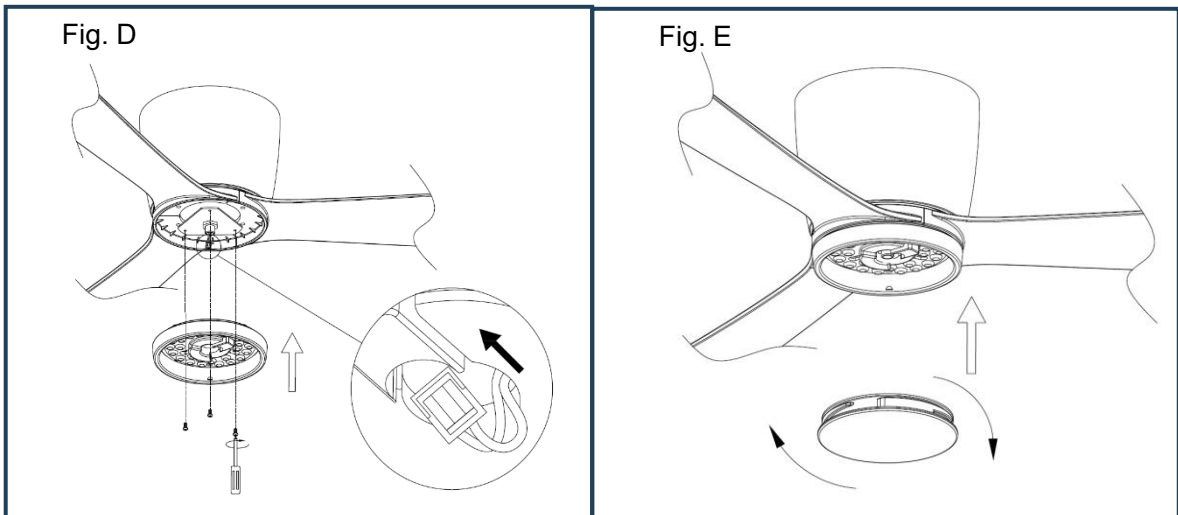
INSTALLATION

ATTACH BLADE & BOTTOM COVER (Continues)

1. Attach the blades to the fan motor as show above in Fig. A with THIS SIDE UP marking attached to the fan motor then securing it in place using screws provided.
2. Repeat Step 1 to attached the rest of the blades and tighten firmly.
3. Install the bottom cover as in Fig. B by spinning until the cover tightens.
4. After attached the motor housing bottom cover ensure it will not touching the fan blades. If it touched the fan blade, then need to adjust the stopping nut by lower it down Fig. C Try as many time as possible until the gap between the cover and the blades are around 3 to 4 mm.



ATTACH LIGHT KIT & LAMP COVER (Apply for fan come with light kit)



5. To attach the light kit, place the light kit on the mounting plate and attach the plug to the light kit connector. Then align the light kit with the mounting holes and secure the light kit with screws supplied in Fig. D. Ensure the screw are tightened firmly.
6. Attached the lamp cover by twisting until it locks and secures Fig. E.
7. The fan installation is completed, and it is now ready to turn on.

CORRECTING ANY WOBBLE

Please note that all ceiling fans are not the same, even in the same model some may move more or less than others. Movement of a couple of centimeters is quite OK and does not suggest the fan will fall.

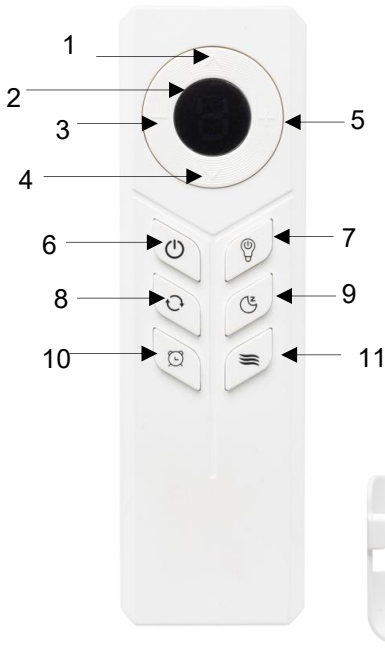
Even though all blades are weighted and grouped by weight, it is impossible to eliminate wobble altogether and should not be considered a problem. Ceiling fans tend to move slightly during operation because they are not generally rigidly mounted.

The following should be performed to reduce any evident wobble.

1. Check all the blade brackets are tightened securely.
2. Some fan movement is normal. However, interchanging an adjacent (side by side) blade pair may redistribute the weight and result in smoother operation.
3. If require, use the blade balancing kit come with the unit to balance the blade and reduce the wobbling issue.

REMOTE CONTROLLER – FUNCTIONS & PAIRING SETUP

OPERATIONS



Remote Control Buttons:

1. Fan ON & speed UP (max 6).
2. Digital display.
3. Light dimming low
4. Fan speed DOWN (min 1).
5. Light dimming high
6. Fan OFF
7. Light ON/OFF
8. Summer / Winter
9. Sleep mode:
 1. Light will turn OFF
 2. Fan speed 1 only
10. Fan timer (1H/2H/4H/8H)
11. Wind breeze:
 1. Fan randomly change speed 1-6

- Choose a suitable location and install the wall mount remote control holder. Drill two holes in the wall using the holes in the wall mount remote control holder as a template. Note: exercise caution to avoid drilling into existing electrical wiring!
- Use screws and suitable fixture system to attach the bracket to the wall securely. NOTE: Ensure wall mount holder is level.
- Remove the battery cover and insert 2x AAA battery into the remote control transmitter and ensure the battery orientation is correct. Replace the battery cover removed previously.

SETUP

The remote controller transmitter and receiver have been factory pre-set/paired and ready to be used immediately. If require to re-pairing the transmitter and receiver, follow below instruction:

1. Turn the ceiling fan main switch power Off for 30 seconds.
2. Turn the ceiling fan main switch power ON, and you will hear a Beep sound then within 3 seconds press and hold the Fan OFF button.
3. Wait until the receiver emitted a Beep sound then let go the button and the pairing process is completed.
4. If the pairing process un-successfully, then repeat step 1 to step 3. (Note: Ensure the batteries have enough power)

SETUP FOR MULTIPLE FANS

The remote controller transmitter can be used to control multiple fan receivers.

1. Turn the main switch power OFF for at least 30 seconds (for all ceiling fans).
2. Turn the ceiling fan you want to pair main switch power ON, and you will hear a Beep sound then within 3 seconds press and hold the Fan OFF button.
3. Wait until the receiver emitted a Beep sound then let go the button and the pairing process is completed.
4. Turn the power off to the fan which is already paired and turn the power on to the next fan needs to be paired with the same remote controller transmitter , then repeat step 1 to step 3.
5. The above pairing process needs to be done on one fan at a time. The remote handset can remember multiple fans if they are in 8-10m working range.

MAINTENANCE

CARE & CLEANING

- Periodic cleaning of your ceiling fan is the only maintenance required.
- Use a soft brush or lint free cloth to avoid scratching the finish. Please turn off electricity when you do so.
- Do not use water when cleaning your ceiling fan. It could damage the motor or the wood blades and create the possibility of an electrical shock.
- The motor has a permanently lubricated ball bearing, and as such is maintenance free.

NOISE

The manufacturer warranty covers actual faults that may develop, but NOT minor complaints, e.g. hearing slight noise from motor in operation - ALL ELECTRIC MOTORS ARE AUDIBLE TO SOME EXTENT, more so, when the fan is operating at low speeds.

WOBBLE

- Ceiling fans are mounted very securely on steel brackets with rubber cushioning or with ball joints to allow free movement.
- Ceiling fans are designed to move during operation because they are not generally rigidly mounted - if they were, they could generate excessive ceiling vibration and stress on their mountings.
- Movement of a couple of centimetres is quite OK and does not suggest the fan will fall.
- Please note that all ceiling fans are not the same, even in the same model - some may move more or less than others.

NORMAL WEAR AND TEAR:

Threaded components working slightly loose or blade carriers even slightly bent due to vigorous cleaning or bumping can cause extra wobble and noise. THIS IS NOT COVERED UNDER WARRANTY but a little care and maintenance can reduce or prevent this problem.

RIPPLE CONTROL FILTER:

- In parts of Australia (NSW and QLD), the power company superimposes a signal voltage onto the mains household voltage. This signal voltage is used to remotely control consumer's electric hot water heaters and other devices throughout the surrounding area.
- Unfortunately, this signal can appear at the ceiling fan as a loud intermittent "hum". If this noise is apparent please contact your local Electricity service provider on how they can assist to provide rectification, usually in the form of a mains supply ripple filter to filter out this signal.

TROUBLESHOOTING

TROUBLE	PROBABLE CAUSE	SUGGESTED REMEDY
Fan/Light will not start	A Fuse or circuit breaker has blown.	A Check main and branch circuit breakers
	B Loose wire connections to the fan.	B Check line wire connections to the fan.
	C Speed controller not in the correct position.	C Check speed controller's position.
	D Remote control battery power not sufficient.	D Replace the battery and ensure the battery polarity are correct when install the battery.
Fan wobbles	A Fan blades are not horizontal to the ceiling.	A Re-tighten all screws on blades. Do not make any adjustments by applying pressure up or down on blades.
	B Blade screws are loose.	B Make sure all screws are tightened.
	C Fan not balanced.	C Balance fan blade with balance kit.
Fan sounds noisy	A Loose fan blades.	A Retighten all screws on fan.
	B Ceiling fan not secured against ceiling.	B Retighten all screws in the hanging plate.
Mechanical noise	A Fan has not settled in fully.	A Allow at least 8 hours settling in period.

TECHNICAL DATA

Model Number	Size	Rated Voltage	Rated Fan Power	Rated Light Power	Speed	Weight
22945/05	52 INCH	220-240V AC 50Hz	35W	N/A	6 speed max	3.9kg
22947/05	52 INCH	220-240V AC 50Hz	35W	20W CCT DIMMABLE	6 speed max	4kg

SPARE PARTS

Model number	Remote Control kit	20W LED CCT Dimmable Array	Acrylic Light Diffuser	Bottom Cover	52" ABS Blade Set
22945/05	22945SP001	N/A	N/A	22945SP053	22945SP052
22947/05	22947SP001	22947SP002	22947SP003	N/A	

WARRANTY

Please note, this warranty voids any other warranties supplied with this product and complies with the new consumer guarantee requirements.

The benefits conferred by this warranty are in addition to all implied warranties, other rights and remedies in respect of the product, which the consumer has under Australian Consumer Law.

The original purchaser of this Brilliant Ceiling Fan is provided with the following warranty subject to the Brilliant Warranty terms and conditions as found on the Brilliant website and the following conditions.

Brilliant Lighting (Aust) Pty Ltd warrants this ceiling fan motor for a period of 6 years from the date of purchase, the first 3 years are covered by an In-home warranty. All parts deemed defective in workmanship or materials will be replaced free of charge. Remote controllers, Wall controllers and Light fittings are subject to Limited warranty status.

PARTS	TOTAL WARRANTY PERIOD	IN-HOME SERVICE PERIOD
Ceiling Fan Motor	6 YEARS	3 YEARS
Wall Controller	2 YEARS	2 YEARS
Remote Controller Set	2 YEARS	2 YEARS
Light Fittings	2 YEARS	2 YEARS

**Consumable items such as Batteries and Light Globes will not be covered by this warranty.*

This warranty is in addition to any other rights and remedies of the customer under any law. In applications not intended for household, personal or domestic use, liability is limited to replacement or reimbursement of product only.

The warranted use of fans outdoors are limited to Enclosed Alfresco like areas where conditions are similar to indoor installations.

The warranty conditions for fans installed in Enclosed Alfresco areas are as follows:

- * *Fan must be shielded from wind and rain (enclosed area, min. 1.5m from edge of eave/roof).*
- * *The warranty will cover open circuit motor faults, and remote control faults if not related to outdoor exposure.*
- * *The Warranty will not cover outdoor related issues such as rusting, or failure clearly caused by water, moisture or wind.*
- * *The Warranty will not cover external appearance or finish of any part of the ceiling fan.*
- * *The Warranty will not cover wooden blades. These are recommended only to be used indoors.*

The warranty does not cover Ripple Control noise/interference (identified by a periodic or intermittent hum). This must be addressed with your energy service provider.

The warranty does not cover noises or faults due to poor installation or failure to balance fans as per instructions.

Our goods come with guarantees that cannot be excluded under the Australian Consumer Law. You are entitled to a replacement or refund for a major failure and compensation for any other reasonably foreseeable loss or damage. You are also entitled to have the goods repaired or replaced if goods fail to be of acceptable quality and the failure does not amount to a major failure.

Any claim under this warranty must be made within the warranty period of the date of purchase of the product. To make a warranty claim please refer to the Warranty Claim Form on the Brilliant

Website: www.brilliantlighting.com.au

This warranty is given by:

Brilliant Lighting (Aust) Pty. Ltd.

ABN 37 006 203 694

36, Lakeview Drive, Scoresby, Victoria 3179

Phone: 03 9765 2555

Email: warranty@brilliantlighting.com.au

MADE IN CHINA

