



LYRIC GLASS PENDANT

22056/05 – Matt White

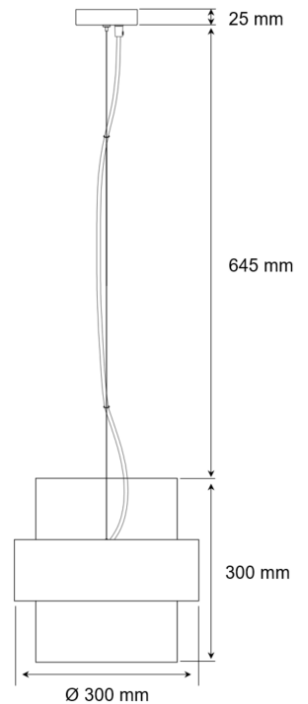
22056/12 – Brushed Brass

Congratulation on the purchase of your new Brilliant LYRIC GLASS PENDANT LIGHT. Before first using, it is most important that you read and follow these instructions, even if you feel you are quite familiar with this type of product. Keep this document handy for future reference.

THIS FITTING MUST BE INSTALLED BY A QUALIFIED ELECTRICAL CONTRACTOR in accordance with the latest AS/NZS 3000 and relevant amendments

FOR YOUR SAFETY

- To prevent electrical shock, please ensure that POWER is DISCONNECTED before installation.
- During use the light head and/or light assembly may become hot.
- Do not install in a position where the fitting can be easily accessed by children or the infirm.
- Do not touch any parts of the assembly with bare hands while it is 'ON'.
- Be aware of the height of your installation. Refer to 'Working at Heights' guide from your local or State Authorities.
- Any alterations or additions to building wiring **must be completed by a licensed electrician** or person authorised by legislation to work on the fixed wiring of any electrical installation.



SPECIFICATIONS

- Input :220-240V AC 50Hz
- Globe Type: E27 42W MAX (Globe not included)
- Dimensions: Ø 300 x 970 mm
- Lamp Shade material: Glass with metalware
- Protection: Class I (Earth in the top metal canopy)
: Class II Lampholder's assembly
- Suitable for INDOOR use ONLY
- Weight: 3.54 kg (Globe not included)

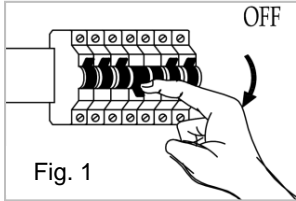
NOTE: When require replace the globe, ensure the maximum wattage is not exceeded 42W.

WARNINGS

- Do not operate this fitting in harsh environmental conditions such as building sites.
- Do not install it on surfaces which can move or vibrate.
- Do not immerse any part of the fitting into water or any liquid.
- Ensure wire connections are firm.
- Do not attempt to perform modification or change parts within the light fixture.
- Clean only with a soft clean cloth.
- Dispose of packaging thoughtfully.
- Install the fitting in right orientation facing upwards.

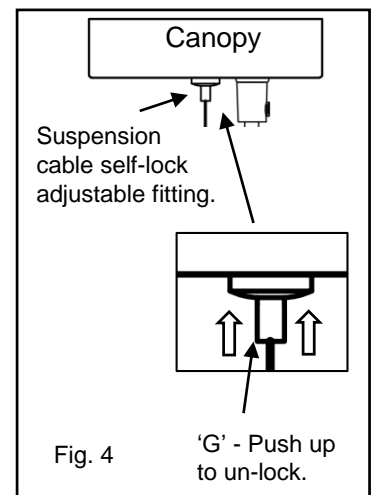
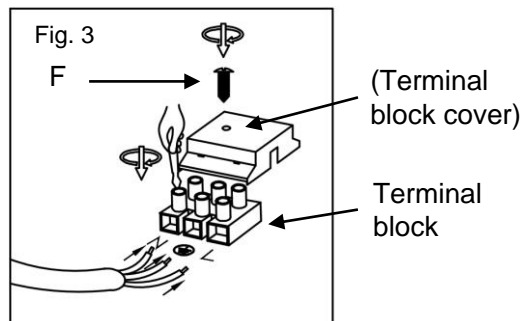
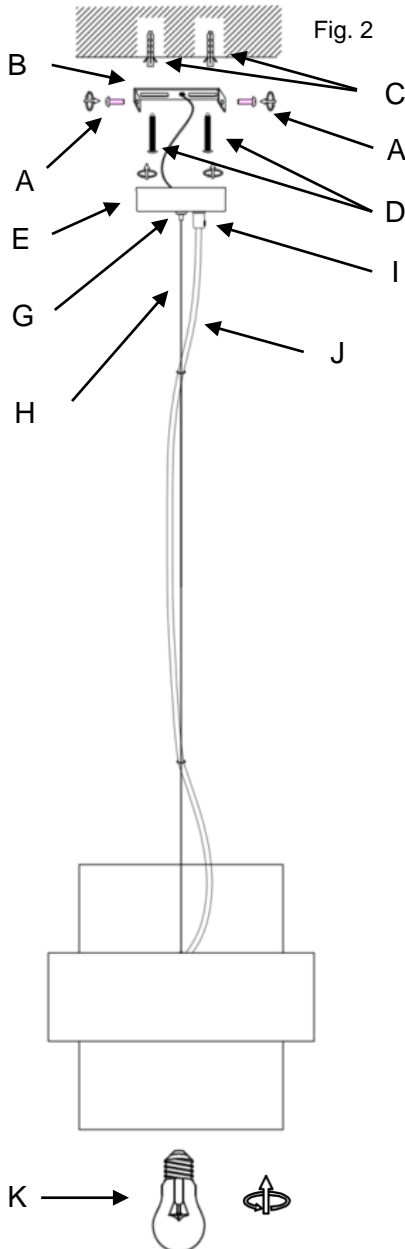
Before first using your new fitting, it is most important that you read and follow these instructions, even if you feel you are quite familiar with this type of product. Retain this document for future reference.

THIS FITTING MUST BE INSTALLED BY A QUALIFIED ELECTRICAL CONTRACTOR in accordance with the latest AS/NZS 3000 and relevant amendments



Installation Instructions:

- 1) Ensure the Mains Supply is switched 'OFF'. (Fig. 1)
- 2) Unpack the fixture carefully and place it on a flat surface. Dispose of the packaging material thoughtfully.
- 3) Remove the ceiling mounting bracket 'B' from the canopy 'E' by unscrewing the 2x screws 'A'. (Fig. 2)
- 4) Drill two holes in the ceiling using the holes in the ceiling mounting bracket 'B' as a template. Note: exercise caution to avoid drilling into existing electrical wiring!
- 5) Feed mains supply cable through the ceiling.
- 6) Use screws and suitable fixture system 'C' to attach the ceiling mounting bracket 'B' to the ceiling securely.
- 7) Unscrew the screw 'F' and remove the terminal block cover. (Fig. 3) Connect the Live (L), Neutral (N) and Earth according to the markings on the terminal block. Ensure all connections are firm and secure.
- 8) Replace the terminal block cover and ensure the screw 'F' is secured and tightened.
- 9) To adjust the stainless steel suspension cable length 'H', first push up the pin 'G' (Fig. 4) then pull the cable up at the same time to your desire height. Let go the pin to lock the cable. Keep the access cable inside the canopy or inside the ceiling.
- 10) Untighten the screw in cord anchorage 'I' to adjust the electrical cord length 'J'. After that ensure the screw in cord anchorage 'I' is secured and tightened. Ensure not over tight and damage the electrical cord.
- 11) Fix the canopy 'E' to the ceiling mounting bracket and tighten the screws 'A'.
- 12) Install suitable E27 globe 'K' (not supplied) into the lampholder. Ensure not to exceed the maximum wattage 42W.
- 13) Reconnect the mains supply.
- 14) Turn ON the light.





LYRIC GLASS PENDANT

22056/05 – Matt White

22056/12 – Brushed Brass

Environmental Protection:

This electrical product should not be disposed as normal waste. Please always recycle! Check with your Local Council about your recycle options.



Warranty:

Brilliant Lighting warrants this product against defects in manufacture and workmanship for a period of 3 years from date of purchase or as specified elsewhere. For products used in non-domestic or commercial applications, Brilliant Lighting warrants this product for a period of 3 months from date of purchase. This warranty is only valid for products installed and operated within the guidelines specified by Brilliant Lighting, and within the correct operating voltage ranges as stated on the product's rating label.

Warranty does not include damage or loss arising from incorrect installation, operation or maintenance of this product, damage caused through modification, incorrect installation, service by unqualified or unauthorised personnel or lack of regular maintenance and cleaning. Proof of installation by qualified personnel may be required, e.g. Electrical Safety Certificate. Proof of purchase must be supplied with all warranty claims.

This warranty is provided in addition to any other rights and remedies of the customer under any law. In applications not intended for household, personal or domestic use, liability is limited to replacement or reimbursement of product only. Brilliant Lighting does not warranty the costs of removal or re-installation of this product or associated components.

Our goods come with guarantees that cannot be excluded under the Australian Consumer Law. You are entitled to a replacement or refund for a major failure and compensation for any other reasonably foreseeable loss or damage. You are also entitled to have the goods repaired or replaced if goods fail to be of acceptable quality and the failure does not amount to a major failure.

Any claim under this warranty must be made within the specified warranty period from date of purchase of this product. To make a claim under the warranty; at your own expense take the product (with proof of purchase – receipt or similar) to the store where you purchased the product or contact Brilliant Lighting at the address below.

This warranty is given by:

Brilliant Lighting (Aust) Pty. Ltd.
ABN 37 006 203 694
956 Stud Road Rowville, VIC 3178
Phone: 03 9765 2555
Email: Warranty@brilliantlighting.com.au
Web: www.brilliantlighting.com.au
MADE IN CHINA