

atom<sup>i</sup>

# LED BUNKER

LED 27W Square polycarbonate Bulkhead - Tri-colour

AT5812/TRI/CF



Tri-colour



Corridor function



Duel power



## Features

- Ideal for commercial lighting applications; carpark, corridors, store rooms etc
- Energy efficient
- Selectable power consumption, 27W or 17W



## Colour temperature

Selectable colour temperature



## IP Rating

IP65 rated



## Insect resistant

Insect resistant seal



## Warranty

Seven year warranty

## Product datasheet

### Description

27W/17W LED IP65 Square polycarbonate bulkhead Tri  
Colour - with corridor function

### Finish

 Grey (GR)

### Product specification

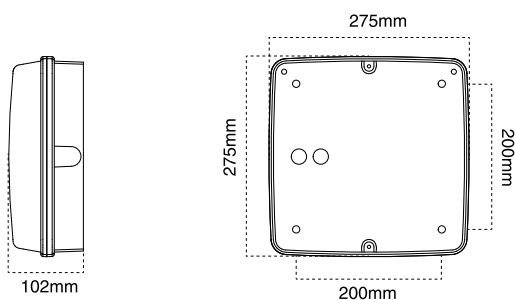
<b>Voltage</b>	230V~ 50Hz		
<b>Power consumption</b>	17W	27W	
<b>Light colour options</b>	Warm white	Cool white	Daylight
<b>Colour temperature</b>	3000K	4000K	5000K
<b>Lumen output</b>	1355lm 2575lm	1440lm 2825lm	1420lm 2735lm
<b>Finish</b>	Grey		
<b>Colour rendering index</b>	80		
<b>Beam angle</b>	120°		
<b>Dimmable</b>	No		
<b>Warranty</b>	7 Years		
<b>Working temperature</b>	5°C – 40°C		
<b>IP Rating</b>	IP65		
<b>Electrical classification</b>	Class II		
<b>Detection Range</b>	7m (at 2m mounting height)		
<b>Weight</b>	1.25kg		

### Product range

Code	Finish	Range
AT5812/TRI/CF	Grey	Corridor function
AT5812/TRI/CF/EM	Grey	Corridor function/emergency

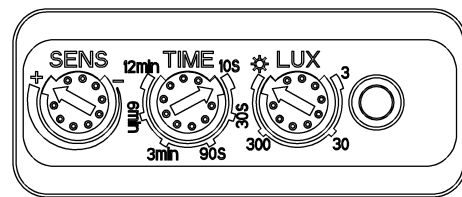
### Dimensions

Length	Depth
275mm	102mm



Power Output Settings			
Power	3	4	Switch
Standby 10%	■	X	= On
Standby 0%	X	X	
Output 100%	X	■	X = Off
Output 50%	X	X	

### Sensor functions



#### SENSOR

Adjust sensor sensitivity according to location, the detection distance of low sensitivity could be only 2m and high sensitivity could be up to 16m for a larger room.

#### TIME

The time that the luminaire stays on at full power once motion is detected. The minimum time is 10sec±3sec, the maximum is 12min±1min. (The luminaire will stay on while the sensor detects movement.)

#### LUX

The amount of ambient light at which the luminaire will switch on the lights if movement is detected. When set to the 'sun' position (max) the luminaire will work in both daytime and night. When set to the '3' position (min) the luminaire will only work when the ambient light is 3LUX (twilight). As for the adjustment pattern, please refer to the testing pattern.