

AT9135 Hawk

IP65 Led Security Spotlight

- Weatherproof: IP65 rated, resistant to harsh conditions.
- Durable: UV stable, corrosion-resistant plastic.
- Versatile: Tri-colour CCT LED for customised lighting.
- Reliable: 3-year warranty with a >108,000 hrs L70 lifetime.
- Quick Setup: Designed for easy installation.
- Large terminal block with room for cable entry.
- 230V 300W relay output
- PIR sensor
- Double insulated design



ORDERING INFORMATION

Order code	13809
Description	Hawk 12W Single LED Security Spotlight - IP65 - Black - w/PIR Sensor
Driver Type	Fixed output
Item Code	AT9135/1LT/S

EFFICIENCIES

Total System Efficiency 110 lm/W

The performance of each component of a luminaire is demonstrated through its efficiencies, which together determine the total system efficiency of the product. The output of the LED chip is first multiplied by the optical and thermal efficiencies to calculate the Luminaire efficiency. However, this calculation does not consider the driver efficiency. To determine the overall efficiency of the system, the Luminaire efficiency must be multiplied by the driver efficiency, which accounts for all losses in the system.

MECHANICAL

Body Material	ABS
Diffuser Material	Glass
Fitting Colour	Charcoal
Installation Type	Surface mount
IP Rating	IP65

ELECTRICAL

Electrical Rating	Class II
Input Current	0.06 A
Input Frequency	50 Hz
Input voltage	230Vac
In Australia the Input voltage is defined as 230Vac -6%/+10%. This effectively means that the voltage range of these products are 216Vac - 253Vac or 240V +6%	
Maximum Wattage	9 W
Working Temp Range	-10 to 40 °C

LAMP

Macadam Steps (SDCM)	6-step MacAdam Ellipse
Beam Angle	90 °
CCT Configuration	TRI-CCT
Colour Rendering Index (CRI)	>80
LED Type	COB

LED LIFETIME

LED Lifetime 108000 hrs

This is the Reported LED Lifetime in Hours based on TM-21. Atom does not list the projected or calculated LED lifetime, which is normally longer as TM-21 Addendum B explicitly states "The Calculated and Projected Lp(Dk) are not to be reported". This Lifetime refers to the life of a single LED however the system life is longer since the probability and binomial distribution of all LEDs in the system means that the average led is performing above the specification and compensates for the LEDs falling below.

LED Lifetime Rating L70B10

COLOUR TEMPERATURE

Warm White (3000 K)	920 lm
Cool White (4000 K)	975 lm
DayLight (5000 K)	990 lm

DRIVER

Dimmable	No
Driver Included	Yes
Integrated Driver	Yes
Driver Mode	Constant Current
Driver Type	Fixed output
Wiring Type	Re-wireable terminal block (3 pin)

SENSOR (S SUFFIX)

Adjustable Detection Area / Sensitivity	Yes
Adjustable Hold Time	No
Adjustable Standby Level	No
Adjustable Standby Period	No
Corridor Function	No
Dawn Reset	No
Detection Range	8 m
Detection Angle	120
Dusk Mode	Yes
Lux Adjustment	Yes
Manual Override	Yes
Sensor Type	PIR
Switched Output	Yes
Switched Output Rating	300 W

COMPLIANCE

Standards	AS/NZS 60598.1 AS/NZS 60598.2.1 AS/NZS 61347.1 AS/NZS 61347.2.13 AS CISPR 15
------------------	------------------------------------------------------------------------------------------

WARRANTY

Domestic Use Warranty	3 RTB (Total 3 Years)
VIP Warranty	2 Onsite, 3 RTB (Total 5 Years)

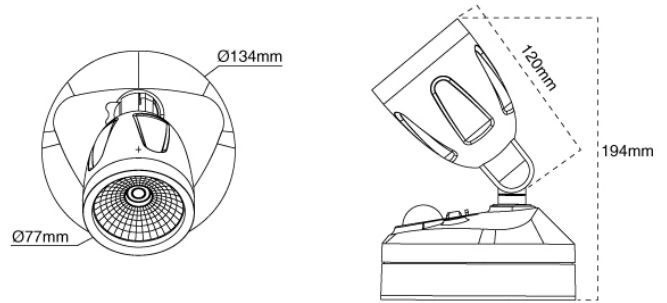
VIP warranty is available to registered users and is subjected to additional terms and conditions.

DIMENSIONS

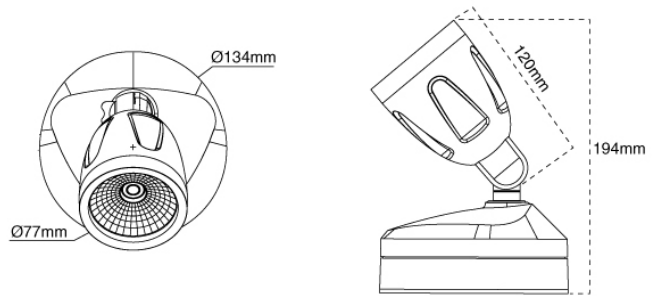
Product Length	194 mm
Product Width	134 mm

LINE DRAWINGS

AT9135/ILT/S

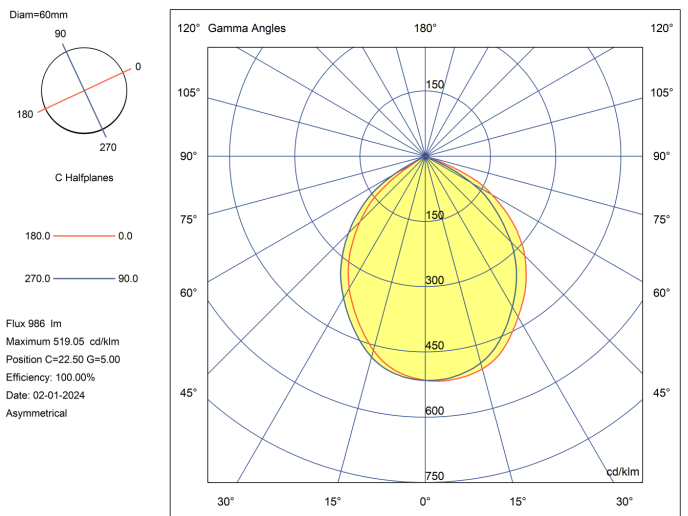


AT9135/ILT

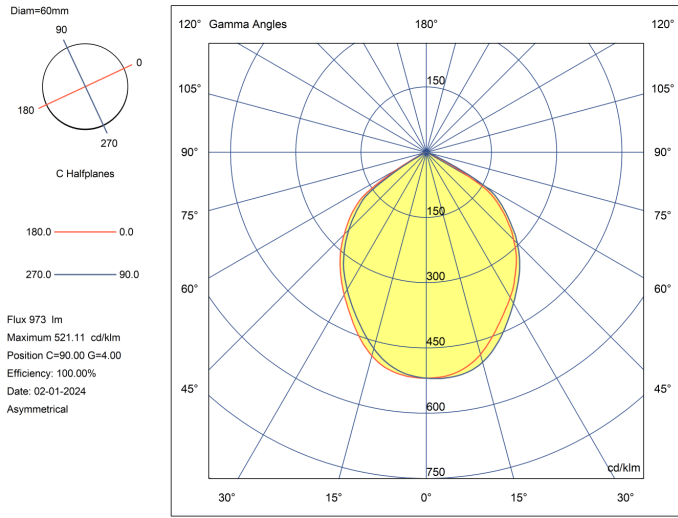


PHOTOMETRICS

AT9135/ILT/5000K



AT9135/1LT/4000K



AT9135/1LT/3000K

