

AT5004 6W

2 X 6W LED Up/Down exterior wall light with glass

diffuser including LED lamps - GU10

- Discrete installation of sets screws
- Tempered Glass lens
- Elegant Design
- Suitable for coastal environments



ORDERING INFORMATION

Order code	12674
Description	2 x 6W LED Anodised Aluminium Up/Down Light
Driver Type	Fixed output
Item Code	AT5004/AND/LED

EFFICIENCIES

Total System Efficiency 78 lm/W

The performance of each component of a luminaire is demonstrated through its efficiencies, which together determine the total system efficiency of the product. The output of the LED chip is first multiplied by the optical and thermal efficiencies to calculate the Luminaire efficiency. However, this calculation does not consider the driver efficiency. To determine the overall efficiency of the system, the Luminaire efficiency must be multiplied by the driver efficiency, which accounts for all losses in the system.

MECHANICAL

Adjustability	Fixed
Body Material	Aluminium
Product Finish	Anodised
Fitting Colour	Silver
IC Rating	Non-IC
Installation Type	Wall mount
IP Rating	IP65

ELECTRICAL

Electrical Rating	Class I
Input Frequency	50 Hz
Input voltage	230Vac
In Australia the Input voltage is defined as 230Vac -6%/+10%. This effectively means that the voltage range of these products are 216Vac - 253Vac or 240V +6%	
Maximum Wattage	12 W
Switch Type	Inline
System Max Wattage	12 W
Working Temp Range	-10 to 40 °C

LAMP

Beam Angle	38 °
CCT Configuration	Single
Globe Base	GU10
Globe Included	Yes
Maximum Bulb Wattage	6 W
Number of Lamps	2

COLOUR TEMPERATURE

CCT	4000 K
CCT Colour	Cool White
LED Wattage	6 W
Luminaire Lumens	940 lm

All photometric data has a tolerance of $\pm 10\%$. Luminaire lumens refers to the exit lumens or delivered lumens from the luminaire.

DRIVER

Dimmable	No
Driver Included	Yes
Integrated Driver	Yes
Driver Type	Fixed output
Wiring Type	Re-wireable terminal block (3 pin)

COMPLIANCE

Standards	AS/NZS 60598.1 AS/NZS 60598.2.1
------------------	------------------------------------

WARRANTY

Domestic Use Warranty	3 RTB (Total 3 Years)
VIP Warranty	2 Onsite, 3 RTB (Total 5 Years)

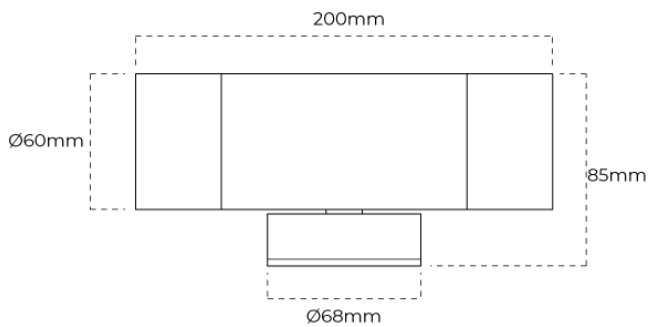
VIP warranty is available to registered users and is subjected to additional terms and conditions.

DIMENSIONS

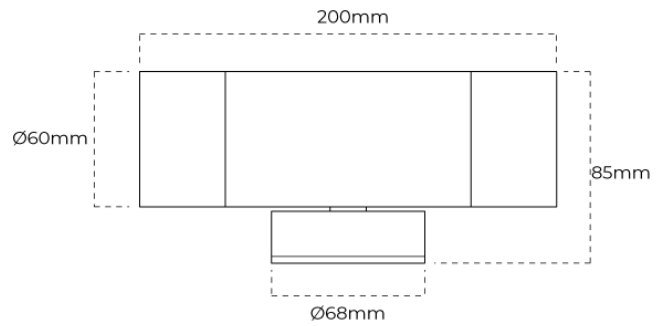
Product Height	200 mm
Product Length	85 mm
Product Width	60 mm

LINE DRAWINGS

AT5004/AND/LED



AT5004/AND/AT/LED



AT5004/AND/BLK/LED

