

AT9011 (24VDC)

3W LED downlight (24V) - Dual-CCT

- Ideal for undershelf and accent lighting
- 24V Low voltage operation (driver not supplied)
- 2m Input cable
- 100 lm/W efficacy
- 70 degree beam angle coverage
- LED Lifetime >50,000 hrs
- IP54 rating resistance against dust and water splashes
- Dual-Colour: 3000K (Warm White) & 4000K (Cool White)



ORDERING INFORMATION

Order code	12665
Description	3W 24 Volt DC Constant Voltage LED Shelf Light - Black - Dual CCT
Item Code	AT9011/24DC/DUAL/BLK

EFFICIENCIES

Total System Efficiency	100 lm/W
--------------------------------	----------

The performance of each component of a luminaire is demonstrated through its efficiencies, which together determine the total system efficiency of the product. The output of the LED chip is first multiplied by the optical and thermal efficiencies to calculate the Luminaire efficiency. However, this calculation does not consider the driver efficiency. To determine the overall efficiency of the system, the Luminaire efficiency must be multiplied by the driver efficiency, which accounts for all losses in the system.

MECHANICAL

IP Rating	IP54 Front Face Only
Adjustability	Fixed
Fitting Colour	Black
Product Finish	Powder coated
Body Material	Aluminium
Installation Type	Recessed

ELECTRICAL

Working Temp Range	0 to 40 °C
Maximum Wattage	3 W
Input voltage	24Vdc

LAMP

Colour Rendering Index (CRI)	>80
Macadam Steps (SDCM)	5-step MacAdam Ellipse
Beam Angle	70 °

LED LIFETIME

LED Lifetime	>50000 hrs
---------------------	------------

This is the Reported LED Lifetime in Hours based on TM-21. Atom does not list the projected or calculated LED lifetime, which is normally longer as TM-21 Addendum B explicitly states "The Calculated and Projected Lp(Dk) are not to be reported". This Lifetime refers to the life of a single LED however the system life is longer since the probability and binomial distribution of all LEDs in the system means that the average led is performing above the specification and compensates for the LEDs falling below.

COLOUR TEMPERATURE

Warm White (3000 K)	300 lm
Cool White (4000 K)	300 lm

DRIVER

Driver Included	No
Dimmable	Yes
Flex & Plug or Lead Length	2000 mm

COMPLIANCE

Standards	AS/NZS 60598.1 AS/NZS 60598.2.2 EN55015
-----------	---

WARRANTY

VIP Warranty	2 Onsite, 3 RTB (Total 5 Years)
--------------	---------------------------------

VIP warranty is available to registered users and is subjected to additional terms and conditions.

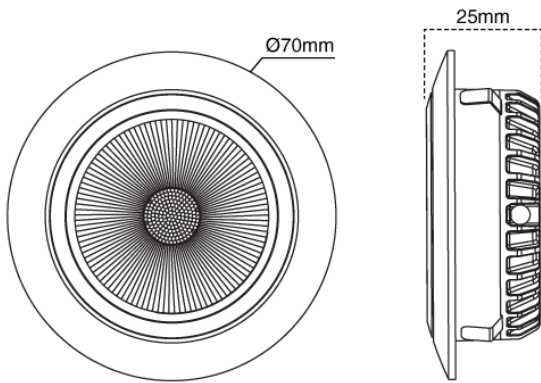
Domestic Use Warranty	3 RTB (Total 3 Years)
-----------------------	-----------------------

DIMENSIONS

Product Height	25 mm
Cutout	58 mm
Product Diameter	70 mm

LINE DRAWINGS

AT9011/24DC/DUAL



Recommended Drivers

Order code	Item Code	Description
16091	EV-DRIVER-24V-100W-ND	100W 24V Constant Voltage Driver IP67 with 1m Flex and plug
16092	EV-DRIVER-24V-150W-ND	150W 24V Constant Voltage Driver IP67 with 1m Flex and plug
16093	EV-DRIVER-24V-200W-ND	200W 24V Constant Voltage Driver IP67 with 1m Flex and plug
16089	EV-DRIVER-24V-40W-ND	40W 24V Constant Voltage Driver IP67 with 1m Flex and plug