

AT9087 - SER II

12-30W Commercial Low Glare LED downlight with dimmable driver - Tri-colour

Features

- Energy efficient LED
- Sophisticated optics for low glare lighting
- Modern reflector design
- Phase-cut dimmable
- Tri-CCT selectable



ORDERING INFORMATION

Order code	12325
Description	24W LED downlight with dimmable driver - Tri-CCT - White - SER II
Driver Type	Dimmable (Phase cut)
Item Code	AT9087/24/WH/TRI

MECHANICAL

Adjustability	Fixed
Product Finish	Powdercoated
Fitting Colour	White
IC Rating	IC-4
IC-4 rating has been conducted at the products maximum working Temperature Range (C) in line with Australian standards. This provides the required safety when covered with insulation and used in Australian Environments.	
Installation Type	Recessed
IP Rating	IP44 Front Face Only

ELECTRICAL

Electrical Rating	Class II
Input Frequency	50 Hz
Input voltage	230Vac
In Australia the Input voltage is defined as 230Vac -6%/+10%. This effectively means that the voltage range of these products are 216Vac - 253Vac or 240V +6%	
Maximum Wattage	24 W
Switch Type	Inline
Working Temp Range	-10 to 40 °C

LAMP

Beam Angle	60 °
CCT Configuration	TRI-CCT
CRI	>80
Lamp/LED Current	600 mA
Lamp/LED voltage	36 V
System Efficiency	127 lm/W
UGR	<22

LED LIFETIME

LED Lifetime	>54,000 hrs
This is the Reported LED Lifetime in Hours based on TM-21. Atom does not list the projected or calculated LED lifetime, which is normally longer as TM-21 Addendum B explicitly states "The Calculated and Projected Lp(Dk) are not to be reported". This Lifetime refers to the life of a single LED however the system life is longer since the probability and binomial distribution of all LEDs in the system means that the average led is performing above the specification and compensates for the LEDs falling below.	
TM-21 Test Hours	9000 hrs

COLOUR TEMPERATURE

Warm White (3000K K)	2770 lm
Cool White (4000K K)	3050 lm
DayLight (5700K K)	3000 lm

DRIVER

Dimmable	Yes
Driver Included	Yes
Integrated Driver	No
Driver Mode	Constant Current
Driver Type	Dimmable (Phase cut)
Flex & Plug or Lead Length	1200 mm
Wiring Type	Re-wireable Flex & Plug (2 pin)

WARRANTY

Commercial Use Warranty	3 RTB (Total 3 Years)
Domestic Use Warranty	3 (Yr) RTB
VIP Warranty	2 Onsite, 3 RTB (Total 5 Years)

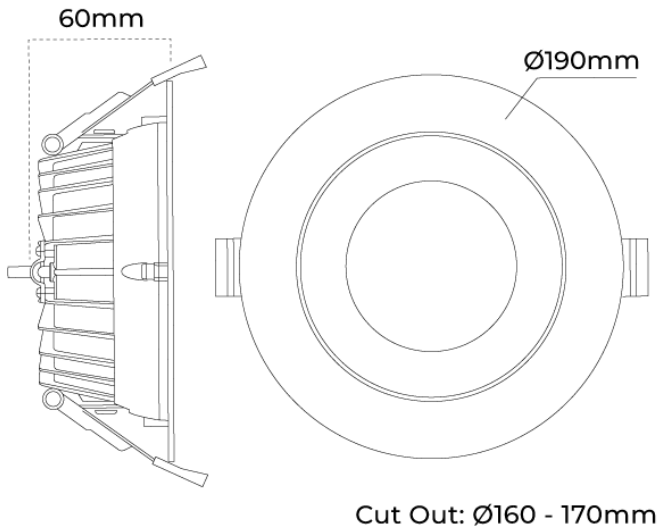
VIP warranty is available to registered users and is subjected to additional terms and conditions.

DIMENSIONS

Cutout	160-170 mm
Product Diameter	190 mm
Product Height	61 mm

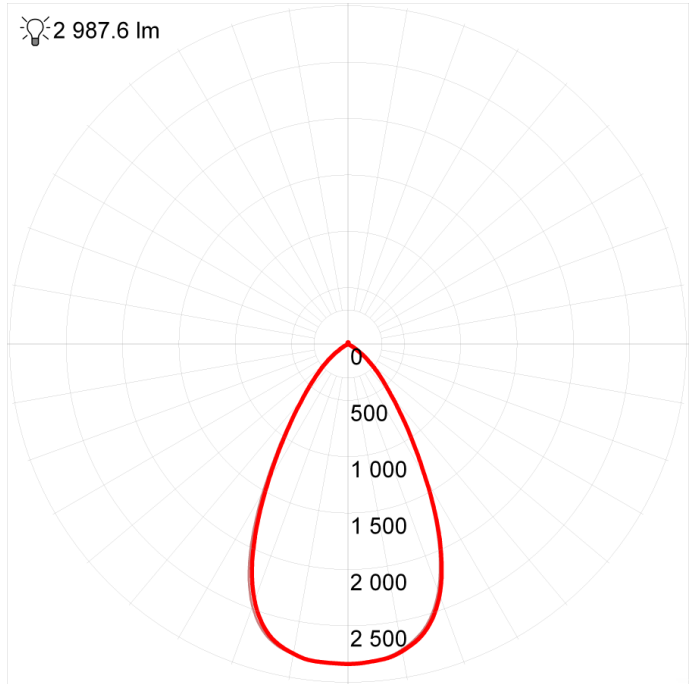
LINE DRAWINGS

AT9087/24/WHI/TRI/2/1

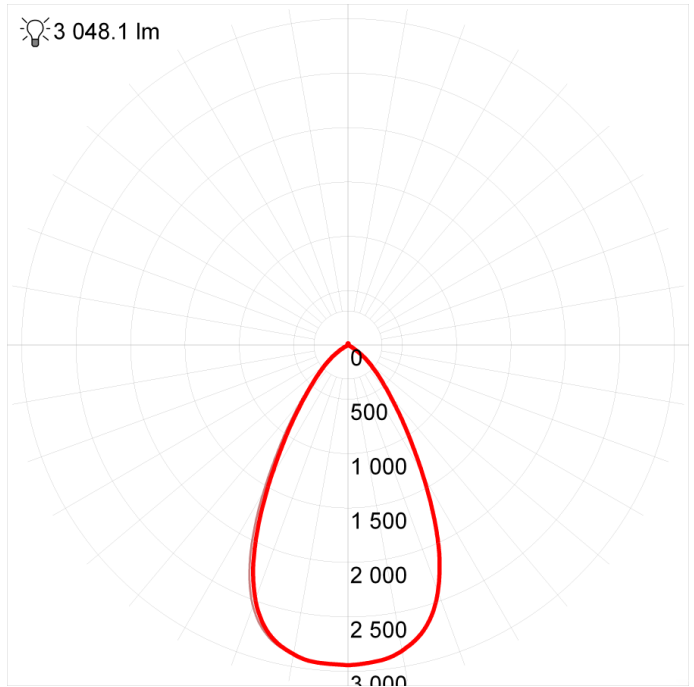


PHOTOMETRICS

AT9087/24/WH/TRI/5700K



AT9087/24/WH/TRI/4000K



AT9087/24/WH/TRI/3000K

