

## AT9819 TRI

### Slim Tri-CCT LED Flood Light

- High efficient LED array
- Compact Design
- IP65 weatherproof Rating
- Adjustable bracket
- Tri-CCT selectable



### ORDERING INFORMATION

<b>Order code</b>	12303
<b>Description</b>	10W Slim Floodlight - Tri-CCT - Black
<b>Driver Type</b>	Fixed output
<b>Item Code</b>	AT9819/TRI/10

### EFFICIENCIES

<b>Total System Efficiency</b>	100 lm/W
--------------------------------	----------

The performance of each component of a luminaire is demonstrated through its efficiencies, which together determine the total system efficiency of the product. The output of the LED chip is first multiplied by the optical and thermal efficiencies to calculate the Luminaire efficiency. However, this calculation does not consider the driver efficiency. To determine the overall efficiency of the system, the Luminaire efficiency must be multiplied by the driver efficiency, which accounts for all losses in the system.

### MECHANICAL

<b>Adjustability</b>	Adjustable
<b>Body Material</b>	Polycarbonate
<b>Diffuser Material</b>	Glass
<b>Fitting Colour</b>	Black
<b>IK Rating</b>	IK06
<b>Installation Type</b>	Surface mount
<b>IP Rating</b>	IP65

### ELECTRICAL

<b>Electrical Rating</b>	Class I
<b>Input Frequency</b>	50 Hz
<b>Input voltage</b>	230Vac
In Australia the Input voltage is defined as 230Vac -6%/+10%. This effectively means that the voltage range of these products are 216Vac - 253Vac or 240V +6%	
<b>Maximum Wattage</b>	10 W
<b>Surge Protection L/N-PE</b>	2kV
<b>Surge Protection L-N</b>	2kV
<b>Working Temp Range</b>	-30 to 50 °C

### LAMP

<b>Macadam Steps (SDCM)</b>	5-step MacAdam Ellipse
<b>Beam Angle</b>	110 °
<b>CCT Configuration</b>	TRI-CCT
<b>Colour Rendering Index (CRI)</b>	>80

### LED LIFETIME

<b>LED Lifetime</b>	50000 hrs
This is the Reported LED Lifetime in Hours based on TM-21. Atom does not list the projected or calculated LED lifetime, which is normally longer as TM-21 Addendum B explicitly states "The Calculated and Projected Lp(Dk) are not to be reported". This Lifetime refers to the life of a single LED however the system life is longer since the probability and binomial distribution of all LEDs in the system means that the average led is performing above the specification and compensates for the LEDs falling below.	

## COLOUR TEMPERATURE

Warm White (3000 K)	960 lm
Cool White (4000 K)	1015 lm
DayLight (5000 K)	970 lm

## DRIVER

<b>Dimmable</b>	No
<b>Integrated Driver</b>	Yes
<b>Driver Mode</b>	Constant Current
<b>Driver Type</b>	Fixed output
<b>Flex &amp; Plug or Lead Length</b>	650 mm
<b>Wiring Type</b>	Flying leads (3 wire)

## COMPLIANCE

<b>Standards</b>	AS/NZS 60598.1 AS/NZS 60598.2.5 AS/NZS 61347.1 AS/NZS 61347.2.13 AS/NZS 61058 AS CISPR 15
------------------	--

## WARRANTY

<b>Domestic Use Warranty</b>	3 (Yr) RTB
<b>VIP Warranty</b>	2 Onsite, 3 RTB (Total 5 Years)

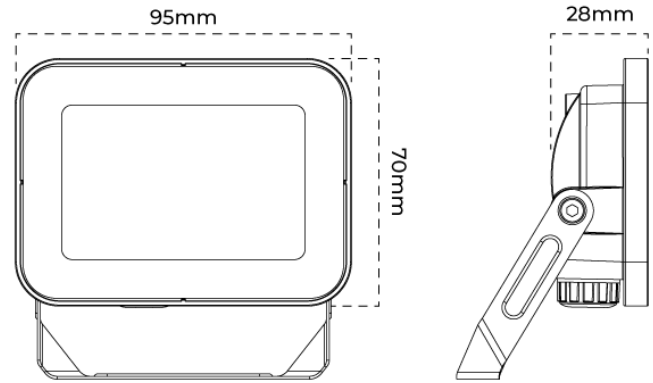
VIP warranty is available to registered users and is subjected to additional terms and conditions.

## DIMENSIONS

<b>Product Height</b>	77 mm
<b>Product Length</b>	104 mm
<b>Product Width</b>	30 mm

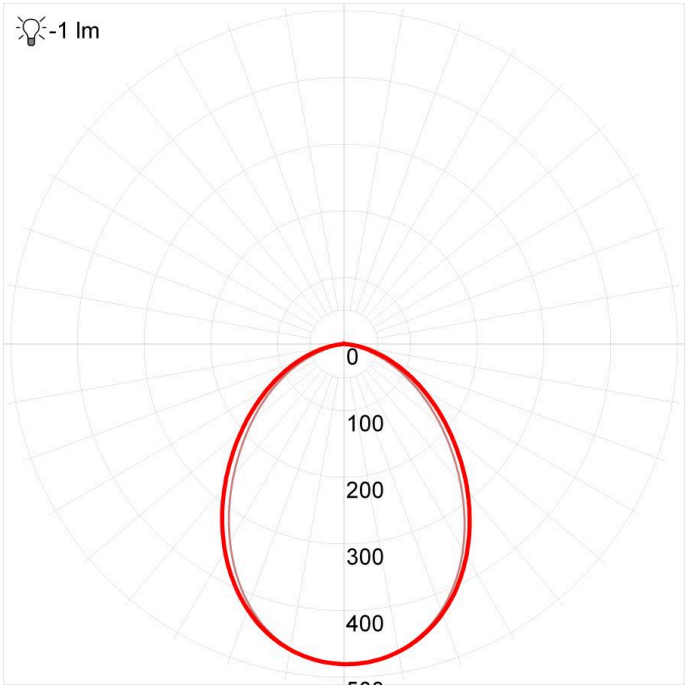
## LINE DRAWINGS

### AT9819/TRI/10

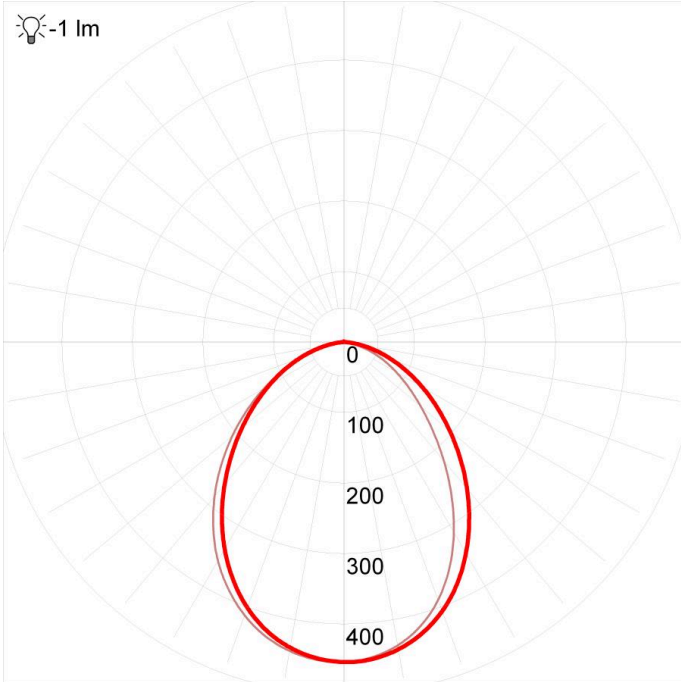


## PHOTOMETRICS

### AT9819/TRI/10W/4000K



## AT9819/TRI/10W/3000K



## AT9819/TRI/10W/5000K

