

Bat PAR38 Security Flood

PAR38 LED Security Spotlight

- Ideal for front and back decks, verandas, balconies, walkways, driveways.
- IP54 weatherproof rating
- Easy to replace PAR38 LED globes
- Adjustable light sensitivity and “on” time
- 10m detection range
- 180-degree detection angle



ORDERING INFORMATION

Order code	12193
Description	Bat Par38 Twin 15 Watt Flood with PIR Sensor - IP54 - Black
Driver Type	Fixed output
Item Code	AT9140/2LT/S

EFFICIENCIES

Total System Efficiency 100 lm/W

The performance of each component of a luminaire is demonstrated through its efficiencies, which together determine the total system efficiency of the product. The output of the LED chip is first multiplied by the optical and thermal efficiencies to calculate the Luminaire efficiency. However, this calculation does not consider the driver efficiency. To determine the overall efficiency of the system, the Luminaire efficiency must be multiplied by the driver efficiency, which accounts for all losses in the system.

MECHANICAL

Body Material	ABS
Diffuser Material	Polycarbonate
Fitting Colour	Black
Installation Type	Surface mount
IP Rating	IP54

ELECTRICAL

Electrical Rating	Class II
Input Frequency	50 Hz
Input voltage	230Vac
In Australia the Input voltage is defined as 230Vac -6%/+10%. This effectively means that the voltage range of these products are 216Vac - 253Vac or 240V +6%	
Maximum Wattage	30 W
Working Temp Range	40 °C

LAMP

Beam Angle	40 °
Bulb Type	PAR38
CCT Configuration	Single
Globe Included	Yes

COLOUR TEMPERATURE

CCT	5000 K
CCT Colour	Daylight
Luminaire Lumens	3000 lm

All photometric data has a tolerance of $\pm 10\%$. Luminaire lumens refers to the exit lumens or delivered lumens from the luminaire.

DRIVER

Dimmable	No
Driver Included	Yes
Integrated Driver	Yes
Driver Mode	Constant Current
Driver Type	Fixed output
Wiring Type	Re-wireable terminal block (3 pin)

SENSOR (S SUFFIX)

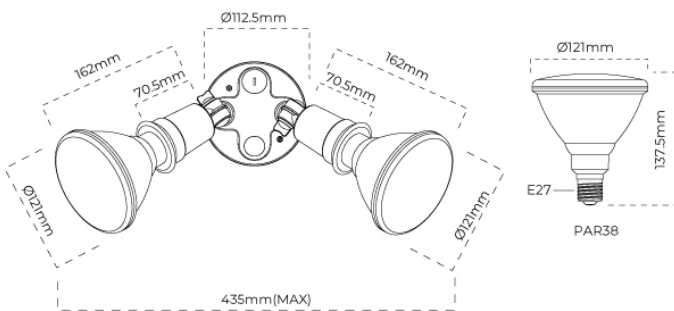
Adjustable Detection Area / Sensitivity	Yes
Adjustable Hold Time	No
Adjustable Standby Level	No
Adjustable Standby Period	No
Corridor Function	No
Dawn Reset	No
Detection Range	10 m
Detection Angle	180
Dusk Mode	Yes
Lux Adjustment	Yes
Manual Override	Yes
Sensor Type	PIR
Switched Output	Yes
Switched Output Rating	300 W

WARRANTY

Domestic Use Warranty	3 RTB (Total 3 Years)
------------------------------	-----------------------

LINE DRAWINGS

AT9140/2LT



AT9140/2LT/S

