

AT5011

Samba Corrosion Resistant Polycarbonate Fixed LED

Wall Light

- Stylish, energy-efficient outdoor light with easy wall mounting installation
- Made with durable corrosion-resistant polycarbonate
- IP65 weatherproof rating provides protection against rain, wind, and other elements
- Impressive LED lifetime of >54,000 hrs for long lasting performance
- TRI-CCT gives flexibility to choose between 3000K, 4000K and 5000K colour temperatures
- Double insulated design



ORDERING INFORMATION

Order code	11783
Description	SAMBA LED Fixed Wall light - Tri-CCT - Charcoal finish
Driver Type	Fixed output
Item Code	AT5011/CHA/TRI

EFFICIENCIES

Total System Efficiency	103 lm/W
--------------------------------	----------

The performance of each component of a luminaire is demonstrated through its efficiencies, which together determine the total system efficiency of the product. The output of the LED chip is first multiplied by the optical and thermal efficiencies to calculate the Luminaire efficiency. However, this calculation does not consider the driver efficiency. To determine the overall efficiency of the system, the Luminaire efficiency must be multiplied by the driver efficiency, which accounts for all losses in the system.

MECHANICAL

Adjustability	Fixed
Body Material	Polycarbonate
Diffuser Material	Polycarbonate
Fitting Colour	Charcoal
Installation Type	Wall mount
IP Rating	IP65

ELECTRICAL

Electrical Rating	Class II
Input Frequency	50 Hz
Input voltage	230Vac
In Australia the Input voltage is defined as 230Vac -6%/+10%. This effectively means that the voltage range of these products are 216Vac - 253Vac or 240V +6%	
Maximum Wattage	5 W
Working Temp Range	-20 to 40 °C

LAMP

CCT Configuration	TRI-CCT
Colour Rendering Index (CRI)	>80

LED LIFETIME

LED Lifetime	>54000 hrs
This is the Reported LED Lifetime in Hours based on TM-21. Atom does not list the projected or calculated LED lifetime, which is normally longer as TM-21 Addendum B explicitly states "The Calculated and Projected Lp(Dk) are not to be reported". This Lifetime refers to the life of a single LED however the system life is longer since the probability and binomial distribution of all LEDs in the system means that the average led is performing above the specification and compensates for the LEDs falling below.	
TM-21 Test Hours	9000 hrs

COLOUR TEMPERATURE

Warm White (3000 K)	480 lm
Cool White (4000 K)	515 lm
DayLight (5000 K)	505 lm

DRIVER

Dimmable	No
Driver Included	Yes
Integrated Driver	Yes
Driver Type	Fixed output
Wiring Type	Re-wireable terminal block (2 pin)

COMPLIANCE

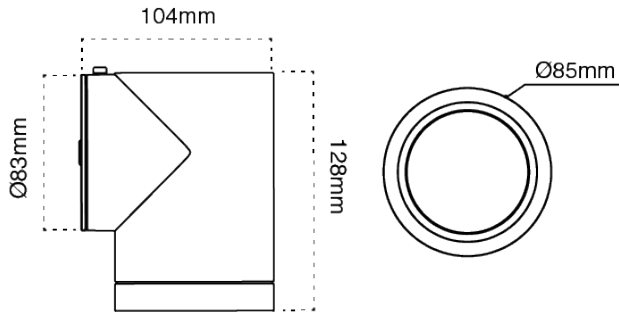
Standards	AS/NZS 60598.1 AS/NZS 60598.2.1 AS/NZS 61347.1 AS/NZS 61347.2.13 AS CISPR 15
------------------	--

WARRANTY

Domestic Use Warranty	3 RTB (Total 3 Years)
------------------------------	-----------------------

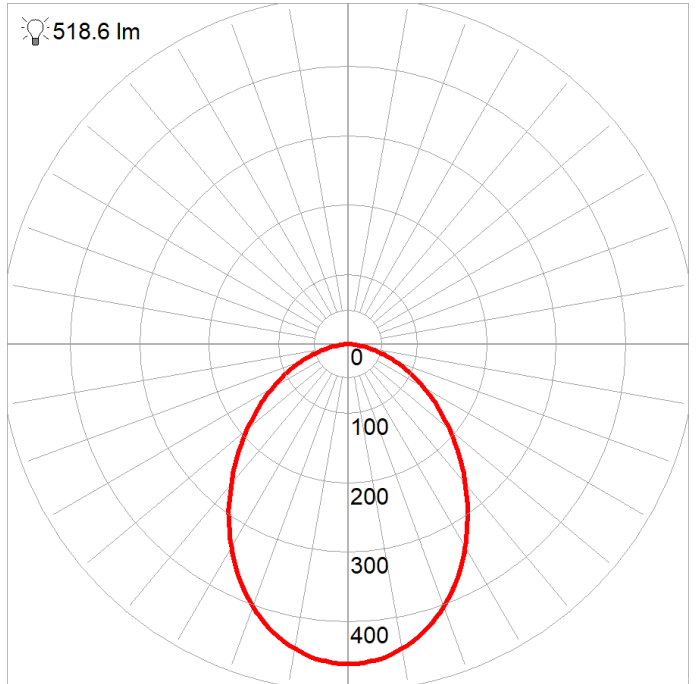
LINE DRAWINGS

AT5011/CHA/TRI

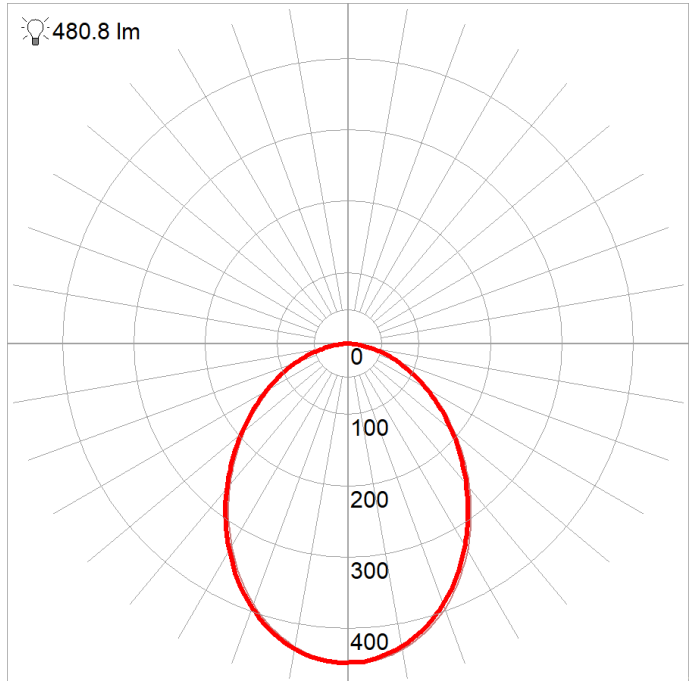


PHOTOMETRICS

AT5011/CHA/TRI/5700K



AT5011/CHA/TRI/4000K



AT5011/CHA/TRI/3000K

