

AT9043 TRI

32W Rectangular LED Shop Light - Tri-CCT

Features

- Energy efficient LED
- Ideal for retail and commercial lighting applications
- Tilt-head for wall washing
- Phase-cut dimmable
- Tri-CCT selectable



ORDERING INFORMATION

Order code	11522
Description	32W Tilt Adjustable LED Rectangular downlight w/ dimmable driver - Tri-CCT - White
Driver Power	38 W
Driver Type	Dimmable (Phase cut)
Item Code	AT9043/WH/TRI

MECHANICAL

Adjustability	Adjustable
Body Material	Aluminium
Diffuser Material	Frosted Polycarbonate
Product Finish	Powder coated
Fitting Colour	White
IC Rating	Do not cover
Installation Type	Recessed
IP Rating	IP20

ELECTRICAL

Electrical Rating	Class II
Input Current	0.15 A
Input Frequency	50 Hz
Input voltage	230Vac
In Australia the Input voltage is defined as 230Vac -6%/+10%. This effectively means that the voltage range of these products are 216Vac - 253Vac or 240V +6%	
Maximum Wattage	32 W
Power Factor	0.9

Switch Type	Inline
Working Temp Range	40 °C

LAMP

Beam Angle	110 °
CCT Configuration	TRI-CCT
CRI	>80
Lamp/LED Current	800 mA
Lamp/LED voltage	36 V
System Efficiency	105 lm/W

COLOUR TEMPERATURE

Warm White (3000 K)	3300 lm
Cool White (4000 K)	3700 lm
DayLight (5700 K)	3300 lm

DRIVER

Dimmable	Yes
Driver Included	Yes
Integrated Driver	No
Driver Mode	Constant Current
Driver Type	Dimmable (Phase cut)
Flex & Plug or Lead Length	600 mm
Wiring Type	Re-wireable Flex & Plug (2 pin)

WARRANTY

Commercial Use Warranty 3 RTB (Total 3 Years)

Domestic Use Warranty 3 (Yr) RTB

VIP Warranty 2 Onsite, 3 RTB (Total 5 Years)

VIP warranty is available to registered users and is subjected to additional terms and conditions.

DIMENSIONS

Cutout 220x130 mm

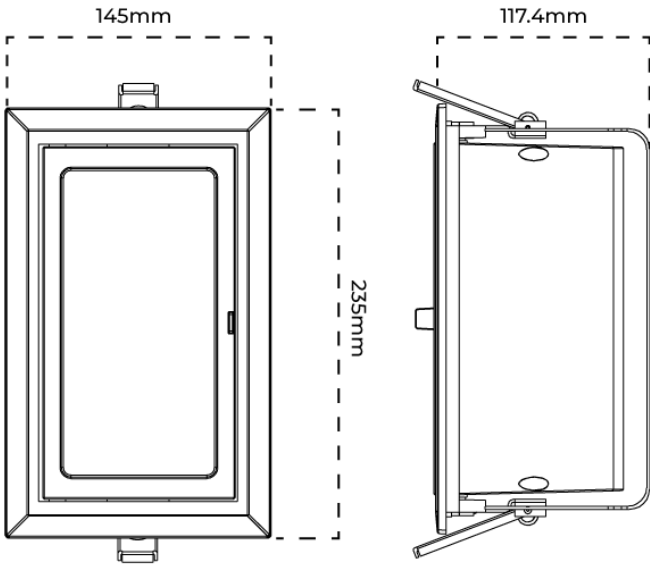
Product Height 118 mm

Product Length 235 mm

Product Width 145 mm

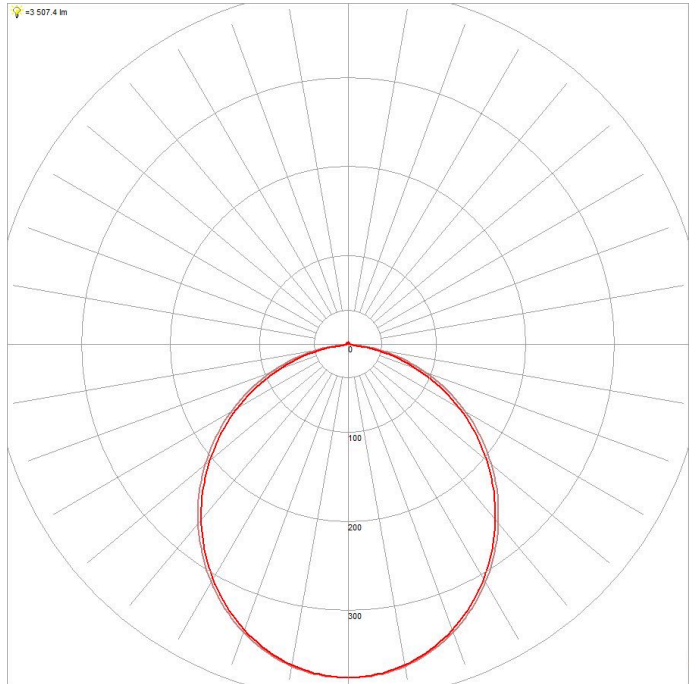
LINE DRAWINGS

AT9043/TRI

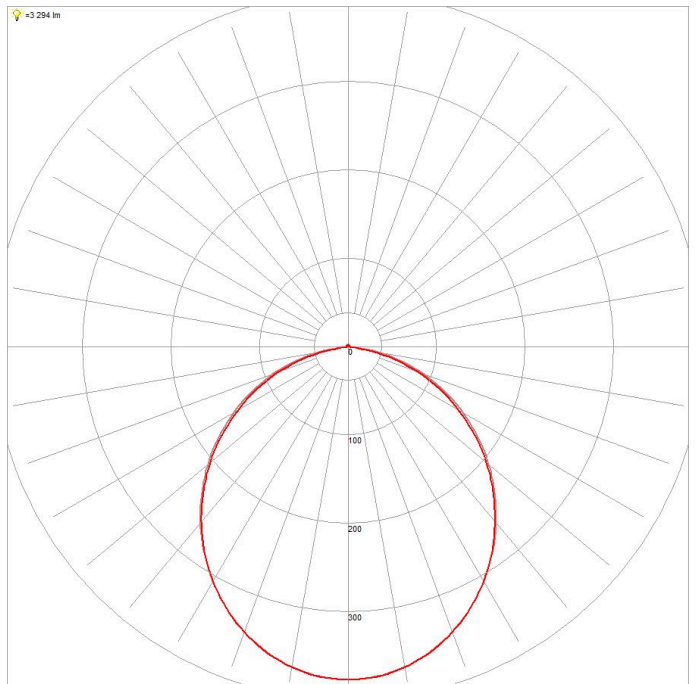


PHOTOMETRICS

AT9043/WH/TRI/5700K



AT9043/WH/TRI/3000K



AT9043/WH/TRI/4000K

