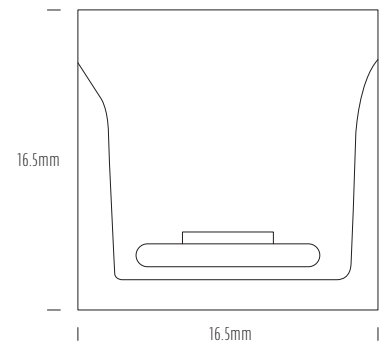


Neon Flex



Product	AQS-510-Mono
Voltage	24V DC
Watts (per Meter)	10W
IP Rating	IP68
Lumen Output (per Meter)	TBA
CCT & Colour Options	2200K to 6500K / R / G / B / Amber
Working Mode	Constant Voltage (PWM)
Max Length (Single Power Feed)	10m
Max Length (Double Power Feed)	20m
Cut Interval	83.30mm
Bend Direction	Vertically
Minimum Bend Diameter	120mm
LED Type	SMD3528
LED Qty / M	144pcs
Lumen Maintenance	70,000 Hours L70@ 25°C, 50,000 Hours L70@ 50°C
Materials	Eco PVC
Emission Angle	120°
Operating Temperature	-20° to +40°C
Installation Temperature	5° to +35°C
Warranty	3 Years

Production Tolerances

The AQS-500 series Neon Flex product is manufactured in a continuous extrusion process and then manually terminated with IP68 overmolded cable entry points. Production tolerances need to be accounted for during site preparation.

- < 1M ±5mm
- < 5M Length ±10mm
- < 10M Length ±15mm
- < 20M ± 20mm

Refer to installation guide when planning your project.

Dimming Options

PSU Control (1-10V / PWM / Phase / Remote)
24V Control (PWM)

For wiring diagrams please refer to the aqualux website: www.aqualux.com.au / Support / Downloads / Wiring Diagrams

1300 662 644
sales@aqualux.com.au

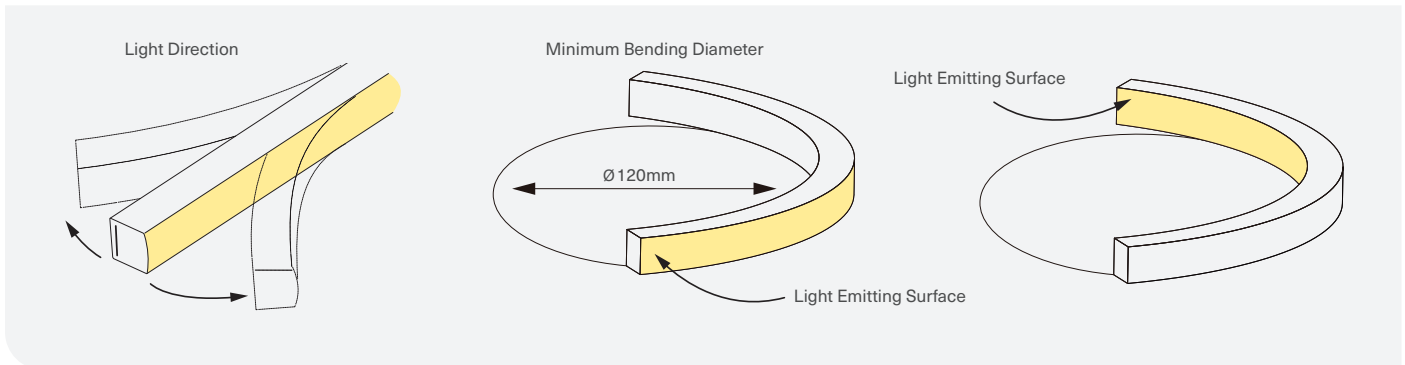


Neon Flex

Variations

Product Code	CCT Kelvin	Voltage Direct Current	Watts Meter	Lumens Meter	Min Run Single End	Max Run Double End
AQS-510-RDA10	RED	24V DC	10W	120lm	10m	20m
AQS-510-GNA10	GREEN	24V DC	10W	390lm	10m	20m
AQS-510-BUA10	BLUE	24V DC	10W	60lm	10m	20m
AQS-510-AMA10	AMBER	24V DC	10W	90lm	10m	20m
AQS-510-22A10	2200K	24V DC	10W	360lm	10m	20m
AQS-510-25A10	2500K	24V DC	10W	360lm	10m	20m
AQS-510-27A10	2700K	24V DC	10W	360lm	10m	20m
AQS-510-30A10	3000K	24V DC	10W	360lm	10m	20m
AQS-510-35A10	3500K	24V DC	10W	370lm	10m	20m
AQS-510-40A10	4000K	24V DC	10W	370lm	10m	20m
AQS-510-45A10	4500K	24V DC	10W	370lm	10m	20m
AQS-510-50A10	5000K	24V DC	10W	400lm	10m	20m
AQS-510-57A10	5700K	24V DC	10W	400lm	10m	20m
AQS-510-65A10	6500K	24V DC	10W	400lm	10m	20m

Bending Directions



1300 662 644
sales@aqualux.com.au

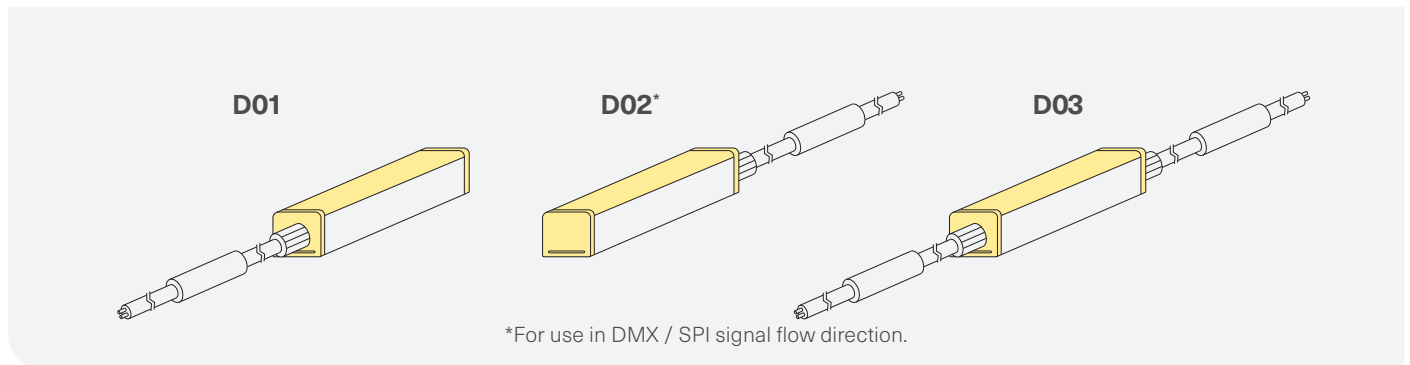


Visit www.aqualux.com.au for: Full product details and available options. Order code configuration & customised datasheets. Voltage drop calculator & LED technical information.

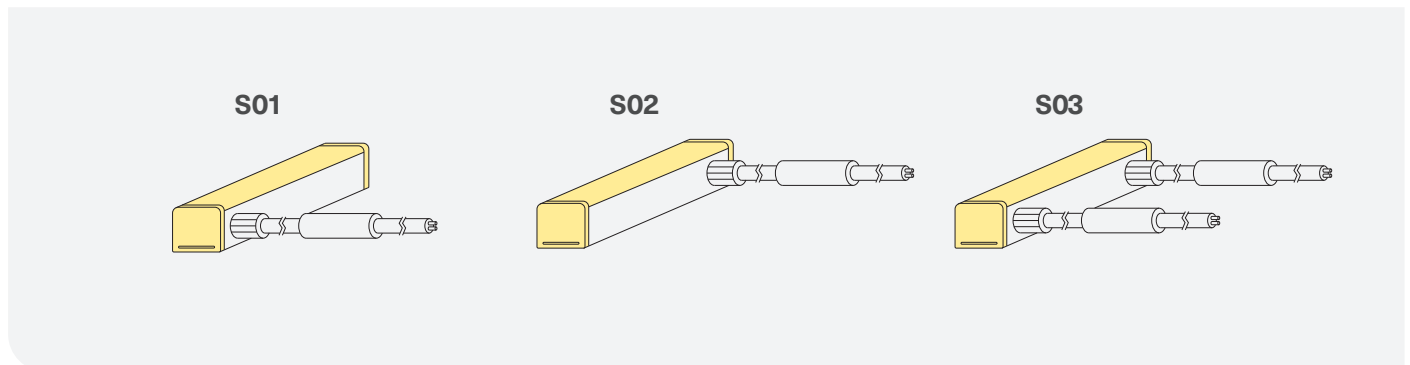
Anti-Siphon Cable Entry Options

- Integrated non-removeable anti-siphon device
- IP68 factory assembly only
- Injection Moulded Connectors

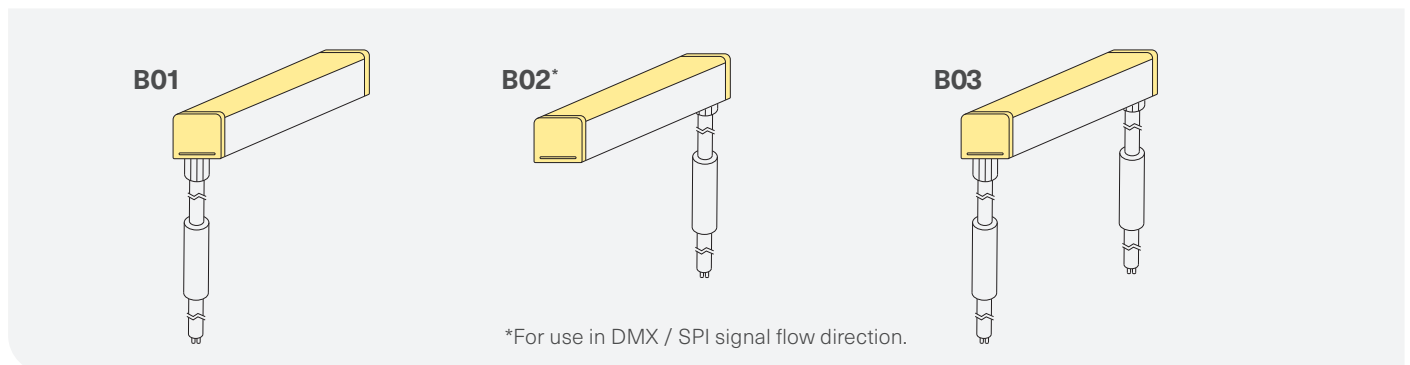
Direct Cable Entry



Side Cable Entry



Bottom Cable Entry



1300 662 644
sales@aqualux.com.au

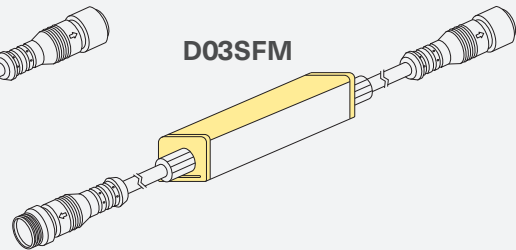
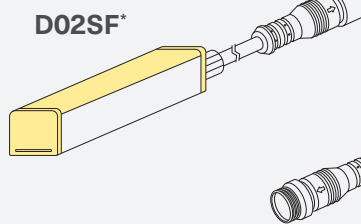
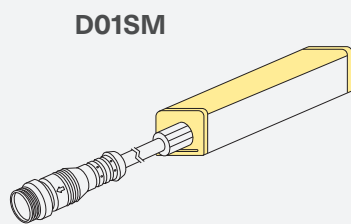


Visit www.aqualux.com.au for: Full product details and available options.
Order code configuration & customised datasheets. Voltage drop calculator & LED technical information.

Quick Connect Cable Entry Options

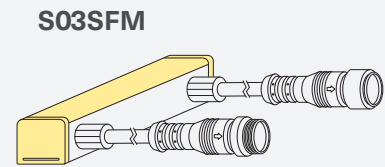
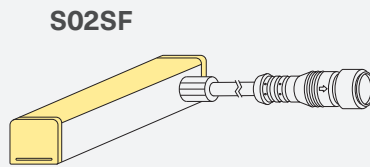
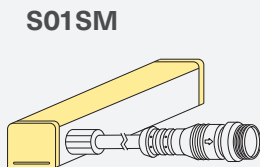
- Integrated non-removeable anti-siphon device
- IP68 factory assembly only
- Injection Moulded Connectors

Direct Cable Entry

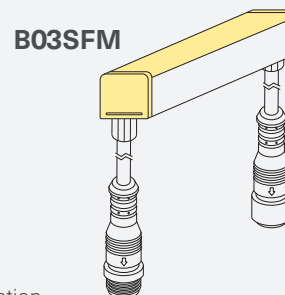
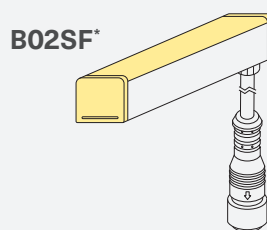
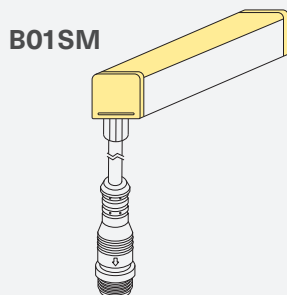


*For use in DMX / SPI signal flow direction.

Side Cable Entry



Bottom Cable Entry



*For use in DMX / SPI signal flow direction.

1300 662 644
sales@aqualux.com.au

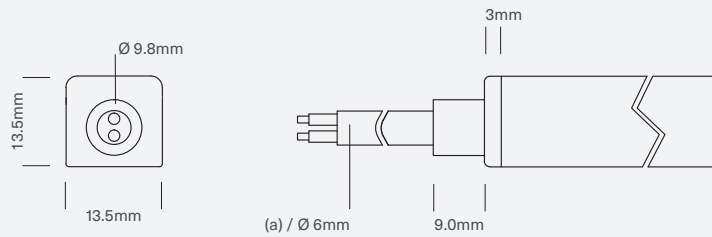


Visit www.aqualux.com.au for: Full product details and available options.
Order code configuration & customised datasheets. Voltage drop calculator & LED technical information.

Neon Flex

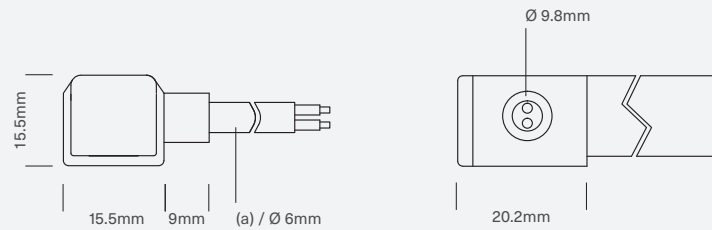
Injection Moulded Connector Dimensions

Direct Cable Entry



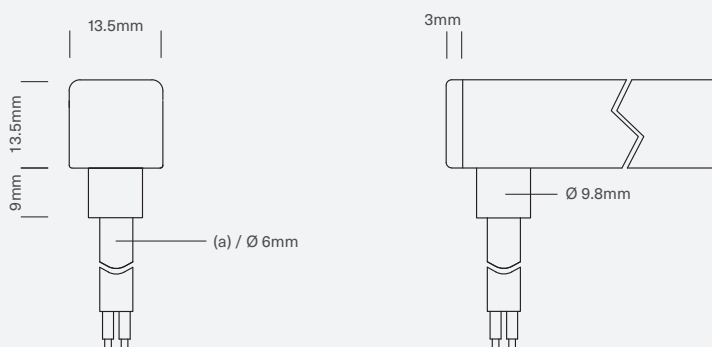
(a) = Minimum length of 6 - 8mm

Side Cable Entry



(a) = Minimum length of 6 - 8mm

Bottom Cable Entry



(a) = Minimum length of 6 - 8mm

1300 662 644
sales@aqualux.com.au

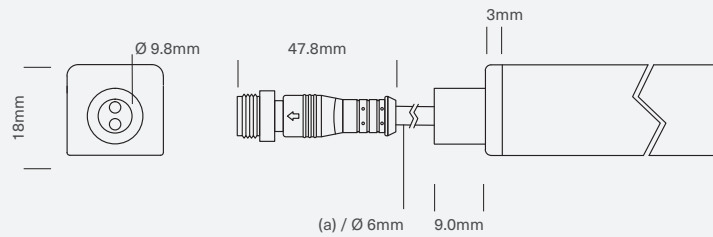


Visit www.aqualux.com.au for: Full product details and available options.
Order code configuration & customised datasheets. Voltage drop calculator & LED technical information.

Neon Flex

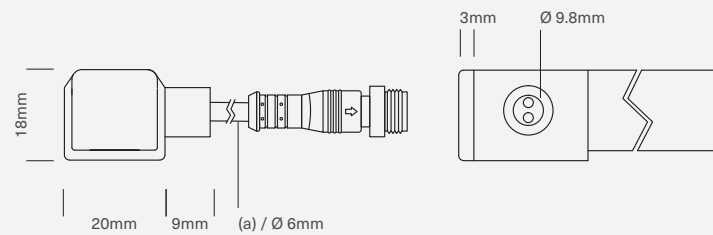
Quick Connector Dimensions

Direct Cable Entry



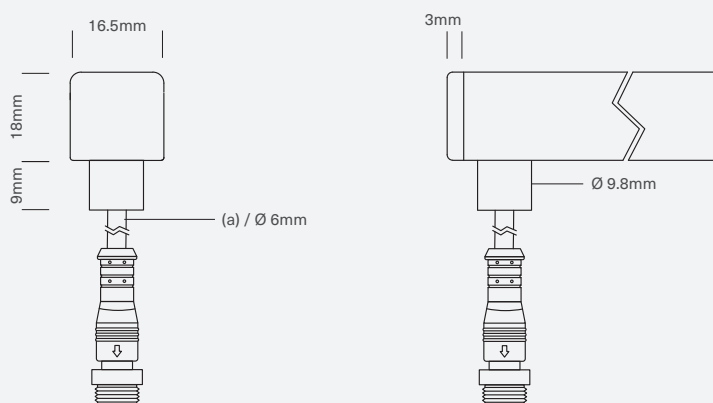
(a) = Minimum length of 6 - 8mm

Side Cable Entry



(a) = Minimum length of 6 - 8mm

Bottom Cable Entry



(a) = Minimum length of 6 - 8mm

1300 662 644
sales@aqualux.com.au



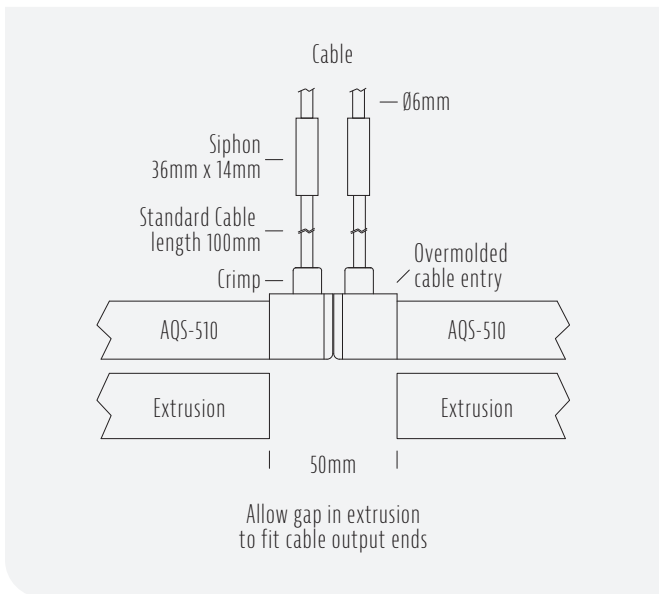
Visit www.aqualux.com.au for: Full product details and available options. Order code configuration & customised datasheets. Voltage drop calculator & LED technical information.

Neon Flex

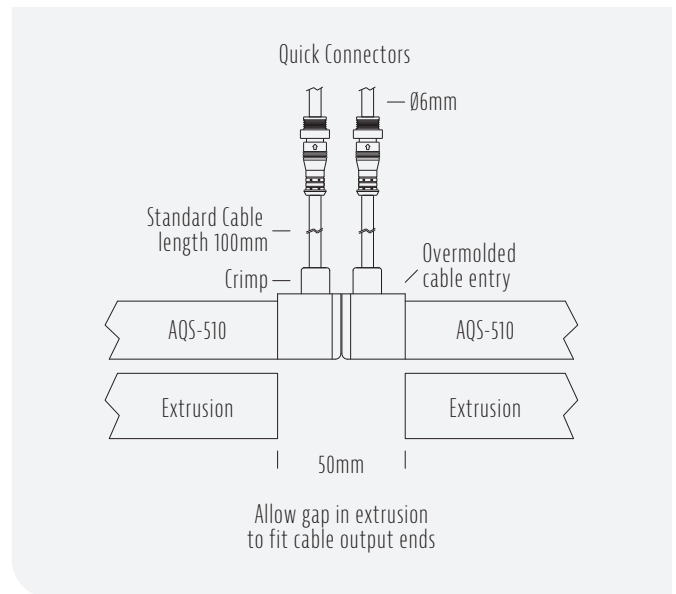
Extrusion and End Cap allowances

Assembly Notes

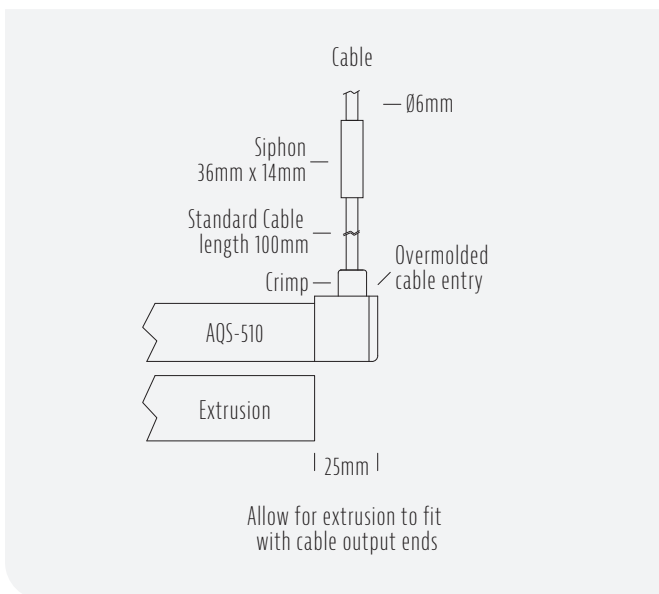
Direct Cable Output



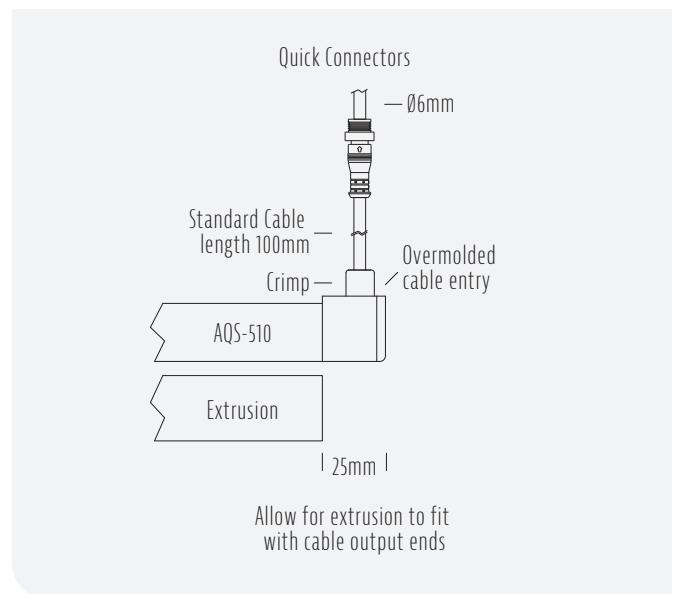
Quick Connector Output



Direct Cable Output



Quick Connector Output



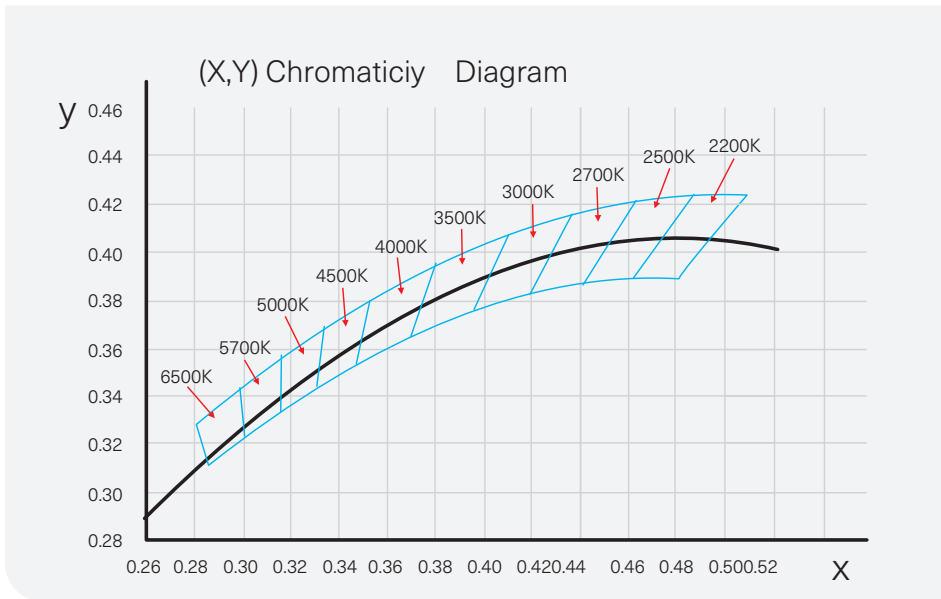
1300 662 644
sales@aqualux.com.au

Visit www.aqualux.com.au for: Full product details and available options. Order code configuration & customised datasheets. Voltage drop calculator & LED technical information.

Neon Flex

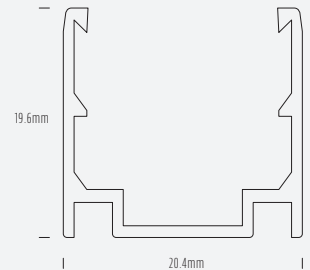
Charts and Diagrams

White Colour Chart

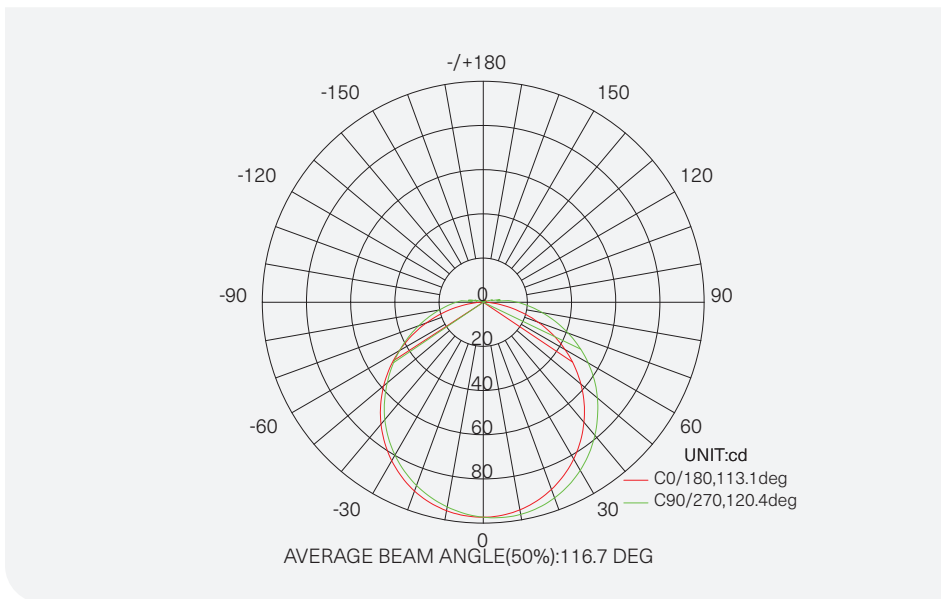


Mounting Channels

- AQS-510-ACC-AL-01
1m AL Extrusion
- AQS-510-ACC-AL-02
2m AL Extrusion
- AQS-510-ACC-AL-03
1m PC Extrusion
- AQS-510-ACC-SS-01
1m stainless steel flexible mounting channel
- AQS-510-ACC-02
5cm Mounting Clip for Anti Drop for Upside down



Photometric



1300 662 644
 sales@aqualux.com.au

Visit www.aqualux.com.au for: Full product details and available options. Order code configuration & customised datasheets. Voltage drop calculator & LED technical information.

Neon Flex

AQS Family Reference Table

Product	Type	IP Rating	LED Options	Size mm	Power/m	Application
AQS-170	Cob Strip	IP20	Mono	10mm	10W DC	Internal / Profile required
AQS-260	Classic	IP65	Mono	10mm	12W AC / 15W DC	External / Profile required
AQS-400	Neon Flex	IP65	Mono	10 x 9	5W DC / 10W DC	External / No profile required
AQS-401	Neon Flex	IP65	Mono	10 x 10	10W DC	External / No profile required
AQS-410	Neon Flex	IP65	RGB	13 x 12	10W DC	External / No profile required
AQS-420	Neon Flex	IP65	Mono / RGBW	12 x 20	10W / 15W	External / No profile required
AQS-500	Neon Flex	IP68	Mono / RGB / RGBW / DMX	11.5 x 21	5W / 8W / 12W / 18W	External / Submerged / No profile
AQS-505	Neon Flex	IP68	Mono	13.5 x 13.5	10W	External / Submerged / No profile
AQS-510	Neon Flex	IP68	Mono / RGB / RGBW / DMX	16.5 x 16.5	10W / 13W / 17W / 18W	External / Submerged / No profile

Extension Wire Recommendations

Maximum extension wire length according to light power

Watts	22AWG 0.34mm ²	20AWG 0.53mm ²	18AWG 0.82mm ²	17AWG 1.04mm ²	16AWG 1.38mm ²	14AWG 2.07mm ²	12AWG 3.29mm ²	10AWG 5.62mm ²
10W	36m	60m	100m	120m	140m	240m	400m	600m
20W	18m	30m	50m	60m	70m	120m	200m	300m
30W	12m	20m	30m	38m	45m	80m	130m	200m
40W	8m	15m	22m	28m	35m	60m	95m	140m
50W	6m	12m	18m	22m	28m	48m	75m	105m
60W	5m	10m	15m	18m	22m	36m	60m	88m
70W	-	8m	12m	14m	18m	30m	50m	72m
80W	-	6m	10m	11m	14m	24m	40m	58m
90W	-	4m	7m	8m	10m	18m	30m	45m
100W	-	-	5m	6m	7m	12m	22m	32m
110W	-	-	3m	4m	5m	8m	15m	22m
120W	-	-	2m	2.5m	3m	0m	8m	12m



1300 662 644
sales@aqualux.com.au

Visit www.aqualux.com.au for: Full product details and available options.
Order code configuration & customised datasheets. Voltage drop calculator & LED technical information.