

AQL-421

Inground Uplight



IP65
INGRESS PROTECTION



5y
YEARS WARRANTY



ULTRA VIOLET PROTECTION



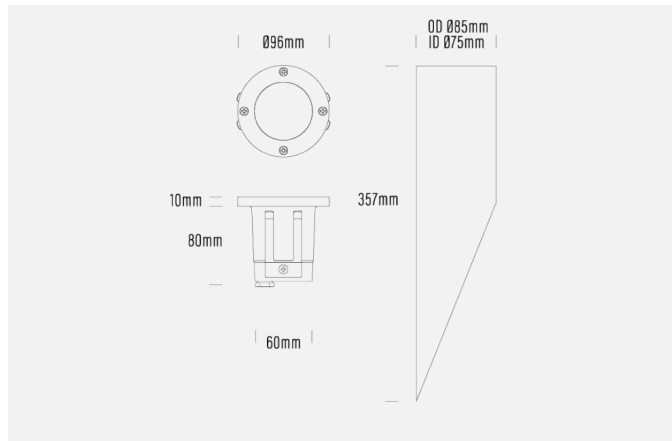
SOLVENT RESISTANT



SALTWATER RESISTANT



LM80
LUMEN MAINTENANCE



INTRODUCTION

IP65 cast brass inground uplight with canister. Ideal for soil or turf areas that need a low-profile uplight.

SPECIFICATIONS

Product Code	AQL-421
Family	Hydra
Construction Material	Solid Cast Brass
Cable	1m Figure 8 Twin Core
IP Rating	IP65
Warranty	5 Year Aqualux Warranty
Additional	MR16 Lamp not included

CONFIGURED OPTIONS

Variant Code	AQL-421-B3M
Body Colour	B3 - Aged Brass
Control Gear	MR16
Dimming	Lamp Dependant

