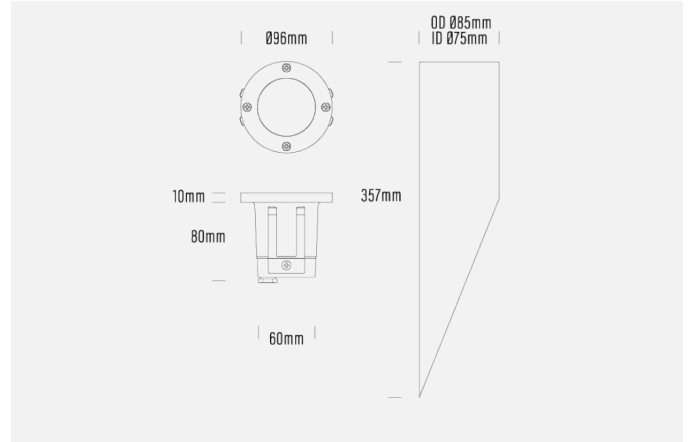


AQL-421

# Inground Uplight



## INTRODUCTION

IP65 cast brass inground uplight with canister. Ideal for soil or turf areas that need a low-profile uplight.

## SPECIFICATIONS

Product Code	AQL-421
Family	Hydra
Construction Material	Solid Cast Brass
Cable	1m Figure 8 Twin Core
IP Rating	IP65
Warranty	5 Year Aqualux Warranty
Additional	MR16 Lamp not included

## CONFIGURED OPTIONS

Variant Code	AQL-421-B2M
Body Colour	B2 - Black
Control Gear	MR16
Dimming	Lamp Dependant

