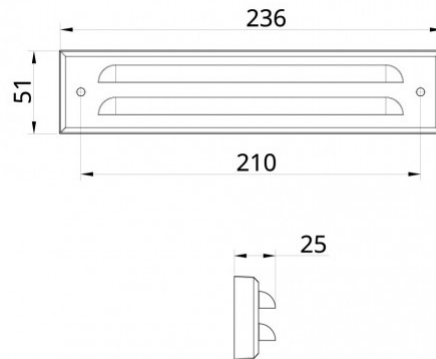
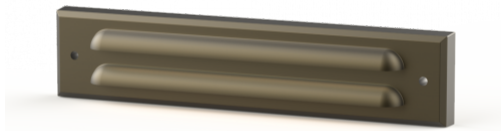


AQL-420 Slotted Steplight



CONFIGURED OPTIONS

ORDER CODE	AQL-420-AB-X03WDF
FINISH OPTION	Antique Bronze
OPTICAL OPTION	Diffuse (Frosted)
LED OPTION	X03 LED (300lmn)
LED COLOR	Warm White (3000K)

SPECIFICATIONS

PRODUCT CODE	AQL-420
FAMILY	Hydra
OPTIC OPTIONS	Diffuse (Frosted)
FINISH OPTIONS	Antique Bronze
LAMP OPTIONS	X03 LED (300lmn)
LED COLORS	Warm White (3000K)
CONSTRUCTION	Solid Cast Brass
CABLE	500mm Fig 8 cable
ELECTRICAL	12VAC/DC - 24VDC (No 24Vac)
WARRANTY	3 Year Construction, 3 Year Electrical
IP RATING	IP65
NOTES	