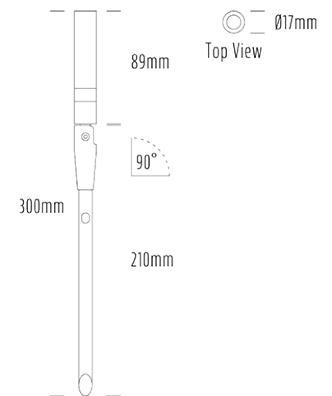


Micro Spike Light



SPECIFICATIONS

| | |
|-----------------------|-------------------------|
| Product Code | AQL-116 |
| Family | Lumena |
| Construction Material | CNC Machined Aluminium |
| IP Rating | IP65 |
| Warranty | 5 Year Aqualux Warranty |

CONFIGURED OPTIONS

| | |
|----------------|------------------------------|
| Variant Code | AQL-116-A3X002GN70Q |
| Body Colour | Dulux Medium Bronze 9068183K |
| Control Gear | 12~24V AC / 24V DC |
| Rated Power | 2W |
| Nominal Lumens | 80 lm |
| CCT / Colour | Green / 500mA |
| Optical | 70 |
| CRI | NA |
| Other | AqualuxPLUS QuickConnect |
| Dimming | Optional 10V PWM (DC) |

INTRODUCTION

A micro sized adjustable spike light for planter boxes and anywhere discrete, optically controlled spotlighting is required. Available October 2020.



1300 662 644
sales@aqualux.com.au