



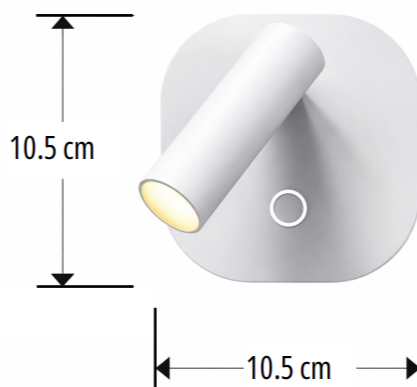
AXIS - Dual Light Elegance for Modern Spaces

The AXIS Wall Light combines modern styling with dual-purpose illumination, featuring a 3W adjustable spotlight and a 5.2W ambient backlight separately Switch within a compact 105mm form. Its touch control allows dimming and easy switching between 2700K, 3000K and 4000K, while 350° rotation provide accurate, flexible lighting performance. Available in Matte Black and Matte White.

The adjustable spotlight offers precise directional lighting, ideal for bedside reading or focused task applications. With its clean lines and understated design, it integrates effortlessly into a wide range of environments, from residential bedrooms to hospitality spaces.

PRODUCT SPECIFICATIONS

Finish	Matte Black / Matte White
Lamp Base	Aluminum
Wattage	Spotlight: 3W+Backlight: 5.2W
Voltage	240V AC 50Hz
Dimming	Touch Control Button
LED	SMD
Colour Temp	2700K / 3000K / 4000K
Colour Change	Touch and hold Control button
CRI	90
Lumen	Spot Light : 242 lm Backlight : 260 lm
Beam Angle	30°
Rotation	350°
IP Rating	IP20
Warranty	3 Years



ORDERING CODE



UWL-AXIS-BLK



UWL-AXIS-WH

