



132cm (52")

Blade span

155

RPM

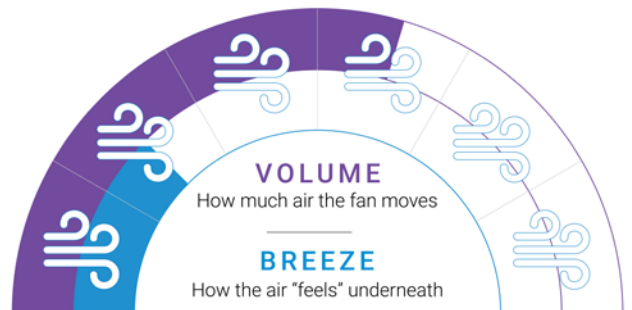
48 W

Energy usage

- + All-weather polymer construction makes the Zonix an ideal candidate for outdoor areas subject to harsh coastal conditions
- + Highly efficient 153 x 18mm motor designed for optimal performance
- + 132 cm (52") blade span with a 14° blade pitch
- + Blades are moulded with a weather-resistant polymer to withstand the elements and are easy to clean, safer than metal blades and will never rust or warp

For ceilings	Downrod (∅26 mm)	A	B
2.4m – 3m	12 cm (4.5 inch)*	40 cm	33 cm
3m – 4m	90 cm (36 inch) #	116 cm	109 cm
4m – 5.5m	180 cm (72 inch) #	207 cm	200 cm

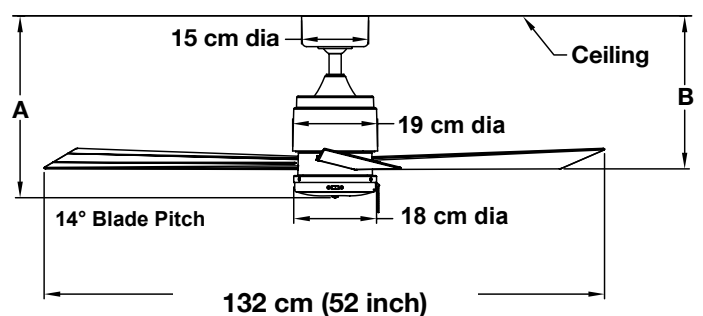
* Standard downrod included with fan. # Optional downrod available for purchase.



FAN PERFORMANCE

Fan Speed (H)	155 RPM
Energy usage (H)	48 W
Airflow volume (H)	8,400 m ³ / hr
Efficiency (H)	175 m ³ / hr / W

The Fan Performance Rating is a guide to show customer's how much air the fan moves as well as how the airflow "feels" when you stand underneath. This is a guide only. Refer to our website for more information.



Net Hanging Weight: 7kg

THREE YEAR ONSITE WARRANTY

FZ40SN

FZ40WH

Fan finish



Satin Nickel

All-weather motor housing, switch housing, ceiling canopy and blades in Satin Nickel



White

All-weather motor housing, switch housing, ceiling canopy and blades in White

Motor

- Highly efficient 153 x 18mm motor designed for optimal performance with this fan
- Motor housing, switch housing and ceiling canopy moulded with a weather-resistant polymer that withstands the elements
- High quality bearings and copper wiring for reliable operation and improved efficiency
- Tightly sealed connections help protect internal components

Blades & Span

- 132cm (52") blade span with a 14° blade pitch for optimal airflow/efficiency
- All-weather blades are easy to clean, safer than metal blades and will never rust or warp
- Blades are moulded with a weather-resistant polymer that withstands the elements
- All blades are balanced and set-matched for wobble-free operation

Mounting

- Hanging ball and bracket made from die-cast zinc for durable wear allows up to 30° slope
- Extra safe, triple-locking unthreaded downrod system
- For sloped ceilings over 30°, sloped ceiling kit [SCB1-52] and longer downrods available

	Satin Nickel	White
90cm (36 inch)	DR1-36SN	DR1-36WH
180cm (72 inch)	DR1-72SN	DR1-72WH

Controls

Wall Control



INCLUDED
Three-speed wall control (without face plate) for basic fan operation

Remote Controls



RC4
Three-speed remote control (fan and light) with optional dimmer



RC9
fanSync Bluetooth remote control (fan and light) with dimming

Lighting

- Not light kit adaptable

Location

- Suitable for use in coastal, wet, damp and indoor locations