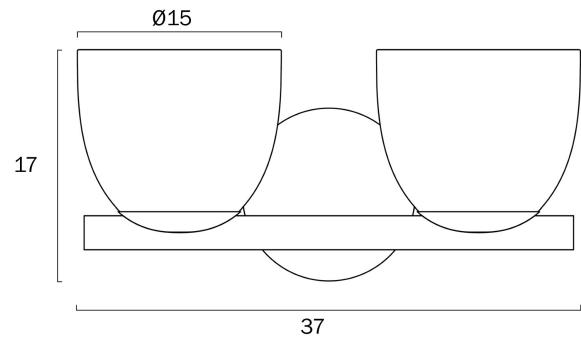


## RADAM TWIN WALL LIGHT



Canopy:  
Ø12.7 x P2



Note: Dimensions are only a guide and may vary due to manufacturing variations.

### LIGHT SOURCE

**Voltage Input**

240V

**Total Wattage (max)**

50

**Globe Type**

E14

**Globe / Light Source qty**

2

**Globe / Light Source included**

No

**Dimmable**

Globe dependant

### SPECIFICATIONS

**Lead and Plug**

No

**IP rating**

IP20

**Electrical Protection**

CLASS I - HIGH VOLTAGE, EARTH REQUIRED

**Mounting**

Surface

**Height Adjustable?**

No

### COLOUR AND MATERIAL

**Fixture Material**

Iron, Glass

### PRODUCT DIMENSIONS

**Fixture Weight (Kg)**

1.7

**Fixture Width (cm)**

37

**Fixture Height (cm)**

17

### WARRANTY

**Replacement Warranty**

\*3 Years

**CARE**

---

**Care Instructions**

Do not use strong liquid cleaners. Wipe clean with a dry cloth. Aluminium, Brass and Stainless Steel will naturally oxidise and change overtime. Exterior products require regular four (4) monthly cleaning and maintenance to ensure they do not accumulate dirt or other environmental deposits. Wipe the product with a mild detergent and warm water to remove surface deposits. Rinse with fresh water and wipe dry with a soft cloth. An extra temporary protection barrier of water displacement oil can help to maintain the surface, such as WD40, sprayed onto a soft cloth and rubbed onto the surface.

**VARIANTS**

---

[RADAM WB2-BK] RADAM  
TWIN WALL LIGHT (BLACK)



9329501084663

[RADAM WB2-VB] RADAM  
TWIN WALL LIGHT (VINTAGE  
BRASS)



9329501084656

Find RADAM TWIN WALL LIGHT on  
[www.telbix.com](http://www.telbix.com)

