

Last modification 2022-01-17

## DENISE FL-AGIV 9329501061879



The Denise floor lamp is a contemporary classic. A large fabric drum shade sits atop of sleek, crossed tripod legs. Available in 3 colors.

### Overview

<b>Family name</b>	Denise
<b>Categories</b>	Floor Lamps
<b>This item includes</b>	Shade
<b>Shade Shape</b>	Drum
<b>Switch</b>	Foot Switch
<b>Usage</b>	Indoor Lighting

### Color / Material

<b>Fixture Color</b>	Ivory,Antique Gold
<b>Fixture Material</b>	Metal,Fabric
<b>Shade Color</b>	Ivory
<b>Shade Material</b>	Fabric,Plastic
<b>Base Color</b>	Antique Gold
<b>Base Material</b>	Metal
<b>Cable Color</b>	Black
<b>Cable Material</b>	PVC

### Size

<b>Fixture Diameter (cm)</b>	50
<b>Fixture Height (cm)</b>	160
<b>Base Diameter (cm)</b>	50
<b>Base Height (cm)</b>	137
<b>Shade Diameter (cm)</b>	45
<b>Shade Height (cm)</b>	29
<b>Cable Length (cm)</b>	180 (30+Foot Switch+150)

### Specification

<b>Voltage Input</b>	240V
----------------------	------

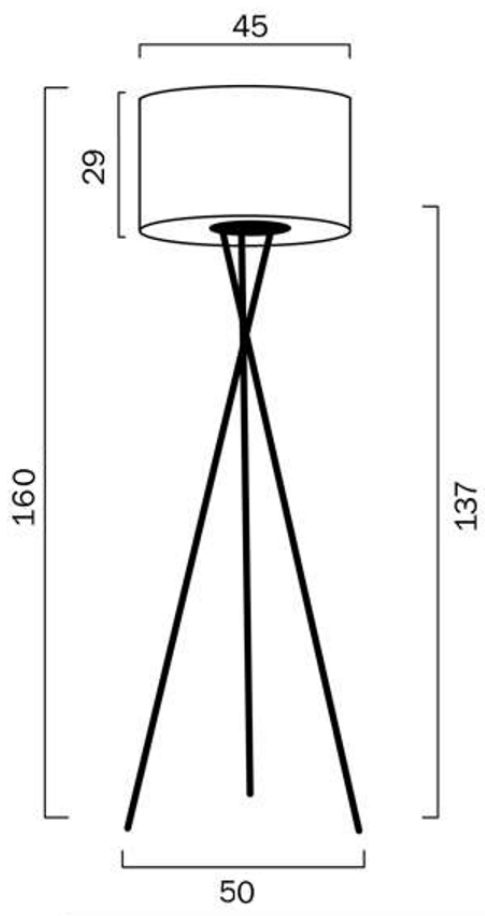
All representations within this document are subject to copyright.ELECTRICAL INSTALLATIONS MUST BE PERFORMED BY A QUALIFIED ELECTRICAL CONTRACTOR AND INSTALLED IN ACCORDANCE WITH AS/NZS 3000.  
NOTE : All images , descriptions and dimensions are indicative. Please check latest version of item detail on Telbix website prior to ordering or installation.

<b>Wattage (max)</b>	60
<b>Globe Type</b>	E27
<b>Globe / Light Source qty</b>	1
<b>Globe / Light Source included</b>	No
<b>Dimmable</b>	No
<b>Electrical Protection</b>	CLASS II - DOUBLE INSULATED, EARTH NOT REQUIRED
<b>IP rating</b>	IP20
<b>Lead and Plug</b>	Yes
<b>Approvals</b>	AS/NZ 3000
<b>Assembly Required</b>	Yes
<b>Box Contents</b>	Instruction
<b>Care Instructions</b>	Do not use strong liquid cleaners,Wipe clean with a dry cloth
<b>Warranty</b>	3 Years

## Barcode

**GTIN** 9329501061879

## Image -dimensions





Last modification 2022-01-17

## DENISE FL-WHWT 9329501061862



The Denise floor lamp is a contemporary classic. A large fabric drum shade sits atop of sleek, crossed tripod legs. Available in 3 colors.

### Overview

<b>Family name</b>	Denise
<b>Categories</b>	Floor Lamps
<b>This item includes</b>	Shade
<b>Shade Shape</b>	Drum
<b>Switch</b>	Foot Switch
<b>Usage</b>	Indoor Lighting

### Color / Material

<b>Fixture Color</b>	White Matt,Wheat
<b>Fixture Material</b>	Metal,Fabric
<b>Shade Color</b>	Wheat
<b>Shade Material</b>	Fabric,Plastic
<b>Base Color</b>	White Matt
<b>Base Material</b>	Metal
<b>Cable Color</b>	Black
<b>Cable Material</b>	PVC

### Size

<b>Fixture Diameter (cm)</b>	50
<b>Fixture Height (cm)</b>	160
<b>Base Diameter (cm)</b>	50
<b>Base Height (cm)</b>	137
<b>Shade Diameter (cm)</b>	45
<b>Shade Height (cm)</b>	29
<b>Cable Length (cm)</b>	180 (30+Foot Switch+150)

### Specification

<b>Voltage Input</b>	240V
----------------------	------

All representations within this document are subject to copyright.ELECTRICAL INSTALLATIONS MUST BE PERFORMED BY A QUALIFIED ELECTRICAL CONTRACTOR AND INSTALLED IN ACCORDANCE WITH AS/NZS 3000.  
NOTE : All images , descriptions and dimensions are indicative. Please check latest version of item detail on Telbix website prior to ordering or installation.

<b>Wattage (max)</b>	60
<b>Globe Type</b>	E27
<b>Globe / Light Source qty</b>	1
<b>Globe / Light Source included</b>	No
<b>Dimmable</b>	No
<b>Electrical Protection</b>	CLASS II - DOUBLE INSULATED, EARTH NOT REQUIRED
<b>IP rating</b>	IP20
<b>Lead and Plug</b>	Yes
<b>Approvals</b>	AS/NZ 3000
<b>Assembly Required</b>	Yes
<b>Box Contents</b>	Instruction
<b>Care Instructions</b>	Do not use strong liquid cleaners,Wipe clean with a dry cloth
<b>Warranty</b>	3 Years

## Barcode

**GTIN** 9329501061862

## Image -dimensions

