

Last modification

2023-10-14

## ZECA PE3V-BKSM

9329501066560



The Zecca Lighting Family, is a fusion of handcrafted artistry and modern minimalism. This collection showcases burlap texture glass, adding rustic charm to contemporary design. Its minimalist frames highlight the glass's uniqueness, creating a tactile and visual experience. The Zecca Family embraces LED G9 light sources for both warmth and energy efficiency. Choose from pendants, table, floor lamps, and wall lamps to elevate your space with timeless elegance and eco-friendly illumination. Crafted to inspire, the Zecca collection is where tradition and modernity converge.

### Overview

<b>Family name</b>	Zecca
<b>Categories</b>	Pendants
<b>Usage</b>	Indoor Lighting

### Color / Material

<b>Fixture Color</b>	Black Matt, Smoke
<b>Fixture Material</b>	Iron, Glass
<b>Glass Color</b>	Smoke

### Size

<b>Fixture Height (cm)</b>	64.0
----------------------------	------

### Specification

<b>Voltage Input</b>	240V
<b>Total Wattage (max)</b>	18
<b>Wattage</b>	6
<b>Globe Type</b>	G9
<b>Globe / Light Source qty</b>	3
<b>Globe / Light Source included</b>	No
<b>Dimmable</b>	Globe Dependant
<b>Electrical Protection</b>	CLASS I - HIGH VOLTAGE, EARTH REQUIRED
<b>IP rating</b>	IP20
<b>Approvals</b>	RCM
<b>Assembly Required</b>	Yes
<b>Installation Required</b>	Yes (by Licensed Electrician only)

All representations within this document are subject to copyright. ELECTRICAL INSTALLATIONS MUST BE PERFORMED BY A QUALIFIED ELECTRICAL CONTRACTOR AND INSTALLED IN ACCORDANCE WITH AS/NZS 3000.  
NOTE : All images , descriptions and dimensions are indicative. Please check latest version of item detail on Telbix website prior to ordering or installation.

**Care Instructions**

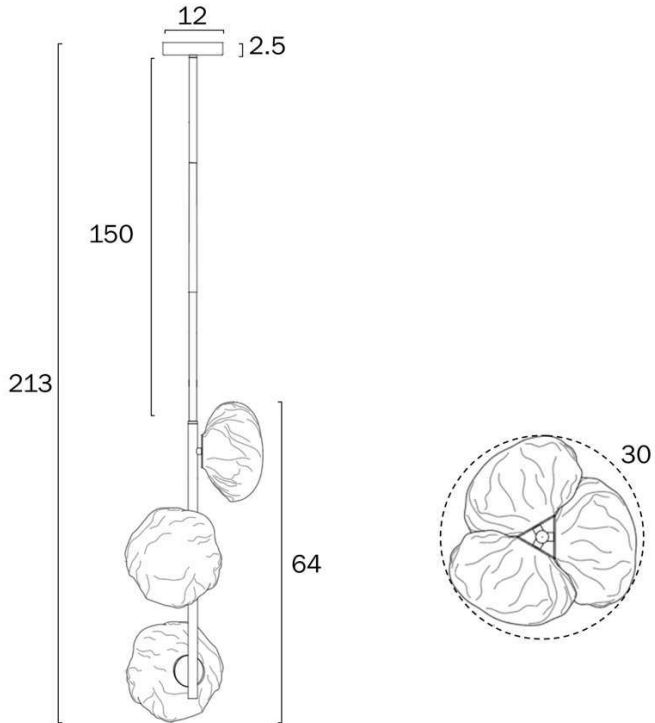
Do not use strong liquid cleaners, Wipe clean with a dry cloth

**Replacement Warranty**

\*3 Years

**Barcode****GTIN**

9329501066560

**Image -dimensions**

Note: Dimensions are only a guide and may vary due to manufacturing variations.