

Last modification

2023-11-25

## SOTRA TL-GY 9329501068458



Our rechargeable wireless table lamp, the Sotra, is a versatile lighting solution that combines style with convenience, offering dimmable illumination to suit any mood. Available in a range of colours including beige, black, brown, green, grey and orange.

### Overview

<b>Family name</b>	Sotra
<b>Categories</b>	Table Lamps
<b>Switch</b>	Yes - 3 way Touch Switch
<b>Usage</b>	Indoor Lighting, Outdoor Lighting

### Color / Material

<b>Fixture Color</b>	Grey
<b>Fixture Pantone Color</b>	RAL 7012; 452U
<b>Fixture Finish</b>	Sand
<b>Fixture Material</b>	Iron
<b>Diffuser Color</b>	Frost
<b>Cable Color</b>	White
<b>Cable Material</b>	PVC

### Size

<b>Fixture Length (cm)</b>	13.0
<b>Fixture Width (cm)</b>	13.0
<b>Fixture Height (cm)</b>	26.5
<b>Cable Length (cm)</b>	100

### Specification

<b>Voltage Input</b>	240V
<b>Total Wattage (max)</b>	3
<b>Globe Type</b>	LED integrated SMD
<b>Globe / Light Source qty</b>	1
<b>Globe / Light Source included</b>	Yes
<b>Lumens</b>	300
<b>Color Temperature</b>	Warm White

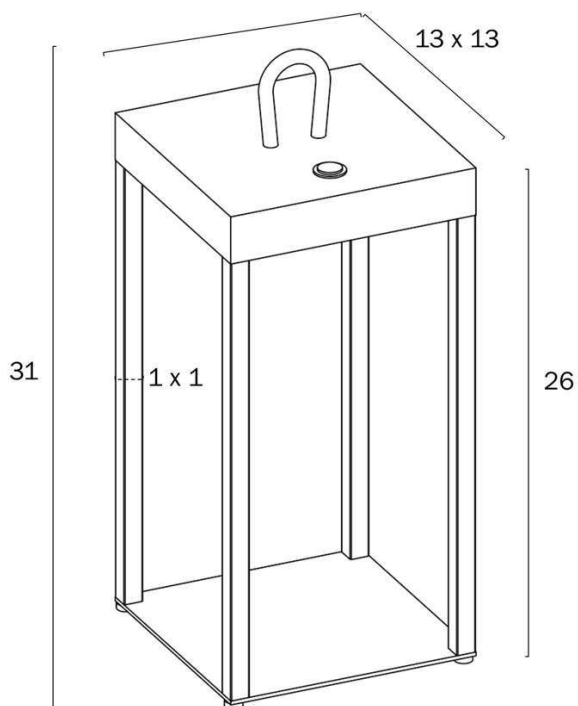
All representations within this document are subject to copyright. ELECTRICAL INSTALLATIONS MUST BE PERFORMED BY A QUALIFIED ELECTRICAL CONTRACTOR AND INSTALLED IN ACCORDANCE WITH AS/NZS 3000.  
NOTE : All images , descriptions and dimensions are indicative. Please check latest version of item detail on Telbix website prior to ordering or installation.

<b>Color Kelvin</b>	3000k
<b>Battery Capacity (mA)</b>	2x2000 (6-24 hour capacity)
<b>Dimmable</b>	Touch
<b>Electrical Protection</b>	CLASS III
<b>IP rating</b>	IP54
<b>USB Port</b>	Yes
<b>Approvals</b>	RCM
<b>Assembly Required</b>	No
<b>Box Contents</b>	Instruction
<b>Care Instructions</b>	Do not use strong liquid cleaners, Wipe clean with a dry cloth
<b>Replacement Warranty</b>	*2 Years

## Barcode

**GTIN** 9329501068458

## Image -dimensions



Note: Dimensions are only a guide and may vary due to manufacturing variations.

