

Last modification 2024-02-25

## SALAS PE120-GY 9329501071472



The Salas Pendant light epitomises contemporary sophistication with its sleek design and versatile functionality. Featuring integrated LED technology for efficient illumination, this pendant offers both style and practicality. Its height-adjustable feature allows for customisable placement, catering to various ceiling heights and design preferences. Available in three chic colours—Pearl Grey, Coffee Gold, and Brass—the brushed aluminum finish adds a touch of refinement to any interior space.

### Overview

<b>Family name</b>	Salas
<b>Categories</b>	Pendants
<b>Mounting</b>	Surface
<b>Suspension Type</b>	Cable
<b>Usage</b>	Indoor Lighting
<b>ERAC Product Registration</b>	SAA-231005-EA

### Color / Material

<b>Fixture Color</b>	Pearl Grey
<b>Fixture Finish</b>	Brushed
<b>Fixture Material</b>	Aluminium, Acrylic

### Size

<b>Fixture Length (cm)</b>	2.0
<b>Fixture Width (cm)</b>	120.0
<b>Fixture Height (cm)</b>	6.0
<b>Canopy Length (cm)</b>	6.0
<b>Canopy Width (cm)</b>	33.0
<b>Canopy Height</b>	4.0
<b>Suspension Length (cm)</b>	200.0
<b>Height Adjustable?</b>	Yes

### Specification

<b>Voltage Input</b>	240V
<b>Total Wattage (max)</b>	30
<b>Globe Type</b>	LED integrated SMD

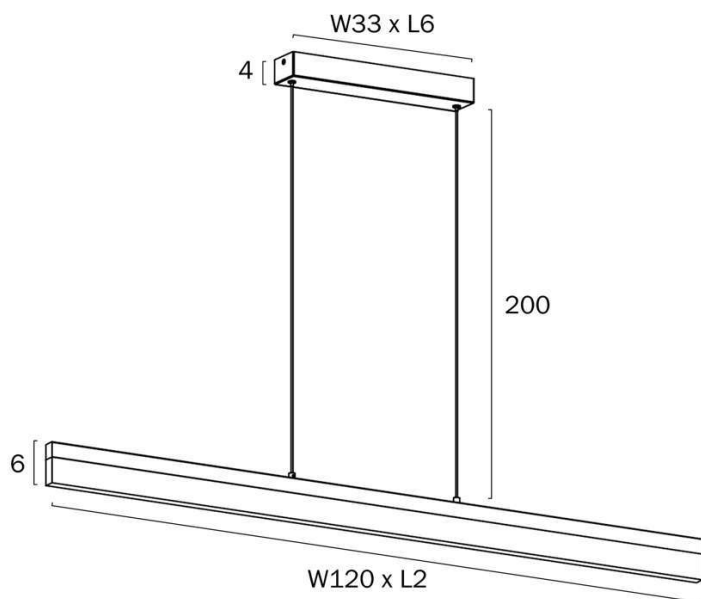
All representations within this document are subject to copyright. ELECTRICAL INSTALLATIONS MUST BE PERFORMED BY A QUALIFIED ELECTRICAL CONTRACTOR AND INSTALLED IN ACCORDANCE WITH AS/NZS 3000.  
NOTE : All images , descriptions and dimensions are indicative. Please check latest version of item detail on Telbix website prior to ordering or installation.

<b>Globe / Light Source included</b>	Yes
<b>Lumens</b>	2030
<b>Color Temperature</b>	Warm White
<b>Color Kelvin</b>	3000k
<b>Dimmable</b>	Yes - TRIAC
<b>Electrical Protection</b>	CLASS III - LOW VOLTAGE, <54v
<b>IP rating</b>	IP20
<b>Lead and Plug</b>	No
<b>Approvals</b>	RCM
<b>Installation Required</b>	Yes (by Licensed Electrician only)
<b>Care Instructions</b>	Do not use strong liquid cleaners, Wipe clean with a dry cloth
<b>Replacement Warranty</b>	*3 Years

## Barcode

**GTIN** 9329501071472

## Image -dimensions



Note: Dimensions are only a guide and may vary due to manufacturing variations.