

Last modification

2022-11-05

RANA PE30-BRN

9329501063958



The Rana family is a high-quality construction of hand-woven rattan material forming a teardrop shaped shade. When illuminated, textured shadowing will enliven surrounding surfaces giving a wonderful accent to your living space. The Rana family includes pendant, table and floor lamp variations.

Overview

Family name	Rana
Categories	Pendants
Mounting	Surface
Suspension Type	Cable
Usage	Indoor Lighting

Color / Material

Fixture Color	Black Matt,Brown
Fixture Material	Rattan,Iron
Canopy Color	Black Matt
Cable Color	Black
Cable Material	PVC

Size

Fixture Diameter (cm)	30.0
Fixture Height (cm)	32.0
Canopy Diameter (cm)	10.0
Canopy Projection (cm)	2.5
Suspension Length (cm)	150.0
Height Adjustable?	Yes

Specification

Voltage Input	240V
Wattage (max)	25
Globe Type	E27
Globe / Light Source qty	1
Globe / Light Source included	No

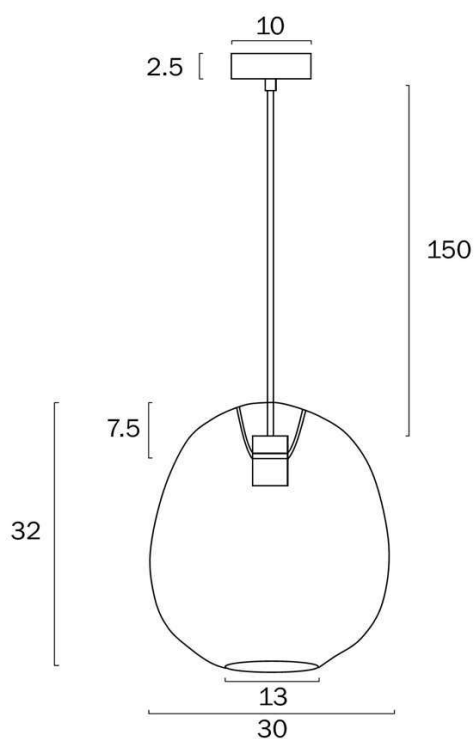
All representations within this document are subject to copyright. ELECTRICAL INSTALLATIONS MUST BE PERFORMED BY A QUALIFIED ELECTRICAL CONTRACTOR AND INSTALLED IN ACCORDANCE WITH AS/NZS 3000.
NOTE : All images , descriptions and dimensions are indicative. Please check latest version of item detail on Telbix website prior to ordering or installation.

Dimmable	Globe Dependant
Electrical Protection	CLASS I - HIGH VOLTAGE, EARTH REQUIRED
IP rating	IP20
Approvals	RCM
Box Contents	Basic mounting screws, Instruction
Installation Required	Yes (by Licensed Electrician only)
Care Instructions	Do not use strong liquid cleaners, Wipe clean with a dry cloth
Replacement Warranty	*3 Years

Barcode

GTIN 9329501063958

Image -dimensions



Note: Dimensions are only a guide and may vary due to manufacturing variations.

