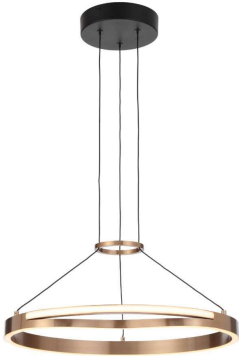


Last modification 2024-02-23

OSTROM PE50-CG 9329501071342



The Ostrom pendant range boasts a captivating coffee gold hue, enhancing any space with its elegant allure. Featuring integrated LED technology, it combines style with energy efficiency. Available in various sizes, these pendants offer versatility to suit diverse design preferences and room dimensions, making them an ideal choice for illuminating and accentuating any interior.

Overview

| | |
|----------------------------------|-----------------|
| Family name | Ostrom |
| Categories | Pendants |
| Mounting | Surface |
| Suspension Type | Cable |
| Usage | Indoor Lighting |
| ERAC Product Registration | SAA-231005-EA |

Color / Material

| | |
|-------------------------|----------------|
| Fixture Color | Coffee Gold |
| Fixture Finish | Satin |
| Fixture Material | Aluminium, PVC |

Size

| | |
|-------------------------------|-------|
| Fixture Diameter (cm) | 50.0 |
| Fixture Length (cm) | 50.0 |
| Fixture Width (cm) | 50.0 |
| Fixture Height (cm) | 3.0 |
| Canopy Diameter (cm) | 18.0 |
| Canopy Height | 4.0 |
| Suspension Length (cm) | 200.0 |
| Height Adjustable? | Yes |

Specification

| | |
|--------------------------------------|--------------------|
| Total Wattage (max) | 30 |
| Globe Type | LED integrated SMD |
| Globe / Light Source included | Yes |
| Lumens | 1220 |

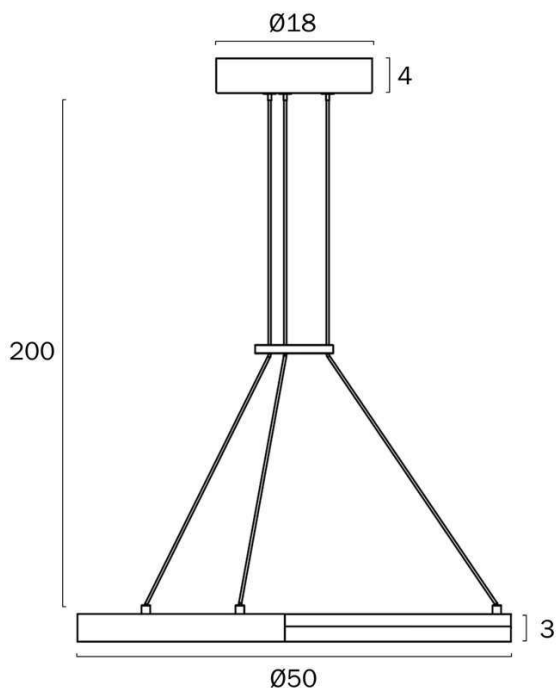
All representations within this document are subject to copyright. ELECTRICAL INSTALLATIONS MUST BE PERFORMED BY A QUALIFIED ELECTRICAL CONTRACTOR AND INSTALLED IN ACCORDANCE WITH AS/NZS 3000.
NOTE : All images , descriptions and dimensions are indicative. Please check latest version of item detail on Telbix website prior to ordering or installation.

| | |
|------------------------------|--|
| Color Temperature | Warm White |
| Color Kelvin | 3000k |
| Dimmable | Yes - TRIAC |
| Electrical Protection | CLASS III - LOW VOLTAGE, <54v |
| IP rating | IP20 |
| Lead and Plug | No |
| Approvals | RCM |
| Installation Required | Yes (by Licensed Electrician only) |
| Care Instructions | Do not use strong liquid cleaners, Wipe clean with a dry cloth |
| Replacement Warranty | *3 Years |

Barcode

GTIN 9329501071342

Image -dimensions



Note: Dimensions are only a guide and may vary due to manufacturing variations.