

Last modification

2023-01-21

OLIANA TL20-AGMB 9329501064160



The Oliana table lamp is elegant and ultra simple in design, suitable for any contemporary interior space. The glass is mouth-blown alabastro and supported on top of hand polished antique gold metalware. A black marble base supports the complete structure.

Overview

| | |
|--------------------|-----------------|
| Family name | Oliana |
| Categories | Table Lamps |
| Shade Shape | Round |
| Switch | Inline Switch |
| Usage | Indoor Lighting |

Color / Material

| | |
|-------------------------|-------------------------------------|
| Fixture Color | Antique Gold,Black Marble,Alabastro |
| Fixture Material | Iron,Marble,Glass |
| Shade Material | Glass |
| Base Color | Antique Gold,Black Marble |
| Base Material | Iron,Marble |
| Glass Color | Alabastro |
| Glass Finish | Matte |
| Cable Color | Black |
| Cable Material | PVC |

Size

| | |
|------------------------------|----------------------------|
| Fixture Diameter (cm) | 20.0 |
| Fixture Height (cm) | 45.0 |
| Base Diameter (cm) | 18.0 |
| Glass Diameter | 20.00 |
| Height Adjustable? | No |
| Cable Length (cm) | 180 (30+Inline Switch+150) |

Specification

| | |
|----------------------|------|
| Voltage Input | 240V |
| Wattage (max) | 25 |

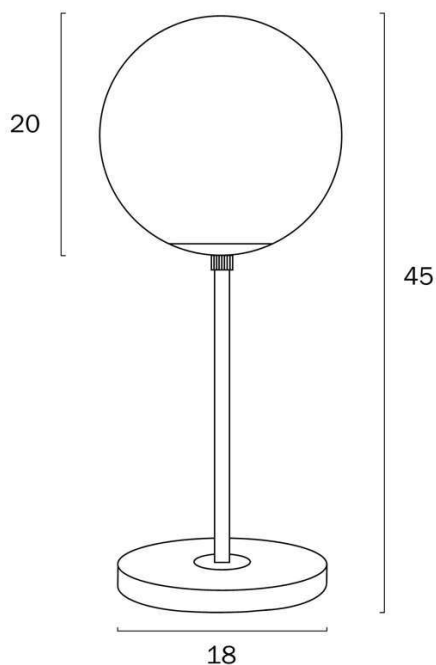
All representations within this document are subject to copyright. ELECTRICAL INSTALLATIONS MUST BE PERFORMED BY A QUALIFIED ELECTRICAL CONTRACTOR AND INSTALLED IN ACCORDANCE WITH AS/NZS 3000.
NOTE : All images , descriptions and dimensions are indicative. Please check latest version of item detail on Telbix website prior to ordering or installation.

| | |
|--------------------------------------|---|
| Globe Type | E27 |
| Globe / Light Source qty | 1 |
| Globe / Light Source included | No |
| Dimmable | Globe Dependant |
| Electrical Protection | CLASS II - DOUBLE INSULATED, EARTH NOT REQUIRED |
| IP rating | IP20 |
| Lead and Plug | Yes |
| Approvals | RCM |
| Assembly Required | Yes |
| Box Contents | Instruction |
| Care Instructions | Do not use strong liquid cleaners,Wipe clean with a dry cloth |
| Replacement Warranty | *3 Years |

Barcode

GTIN 9329501064160

Image -dimensions



Note: Dimensions are only a guide and may vary due to manufacturing variations.

