

Last modification

2023-11-18

## MINDY TL-BRW

9329501066379



Meet Mindy, our rechargeable wireless table lamp, a chic and cordless lighting solution ensuring convenience and mobility. This modern lamp combines style and practicality and comes in a range of colours including black, brown, green and white. Also available as a floor lamp.

### Overview

|                    |                                   |
|--------------------|-----------------------------------|
| <b>Family name</b> | Mindy                             |
| <b>Categories</b>  | Table Lamps                       |
| <b>Switch</b>      | Yes - 3 way Touch Switch          |
| <b>Usage</b>       | Indoor Lighting, Outdoor Lighting |

### Color / Material

|                         |       |
|-------------------------|-------|
| <b>Fixture Color</b>    | Brown |
| <b>Fixture Finish</b>   | Sand  |
| <b>Fixture Material</b> | Iron  |
| <b>Diffuser Color</b>   | Frost |
| <b>Cable Color</b>      | White |
| <b>Cable Material</b>   | PVC   |

### Size

|                              |      |
|------------------------------|------|
| <b>Fixture Diameter (cm)</b> | 11.5 |
| <b>Fixture Height (cm)</b>   | 38.0 |
| <b>Cable Length (cm)</b>     | 100  |

### Specification

|                                      |                                       |
|--------------------------------------|---------------------------------------|
| <b>Voltage Input</b>                 | 240V                                  |
| <b>Total Wattage (max)</b>           | 3                                     |
| <b>Globe Type</b>                    | LED integrated SMD                    |
| <b>Globe / Light Source qty</b>      | 1                                     |
| <b>Globe / Light Source included</b> | Yes                                   |
| <b>Lumens</b>                        | 300                                   |
| <b>Color Temperature</b>             | Warm White; Natural White; Cool White |
| <b>Color Kelvin</b>                  | 3 CCT (3000k - 4000k - 5000k)         |

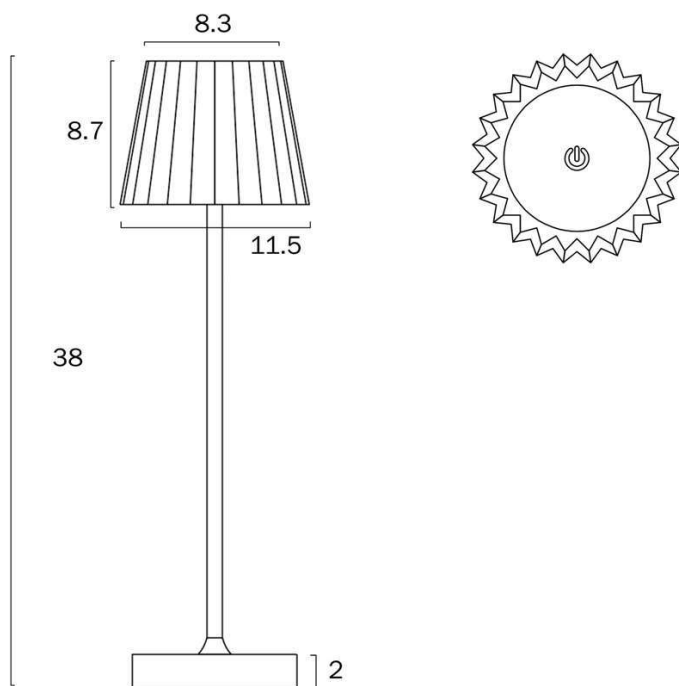
All representations within this document are subject to copyright. ELECTRICAL INSTALLATIONS MUST BE PERFORMED BY A QUALIFIED ELECTRICAL CONTRACTOR AND INSTALLED IN ACCORDANCE WITH AS/NZS 3000.  
NOTE : All images , descriptions and dimensions are indicative. Please check latest version of item detail on Telbix website prior to ordering or installation.

|                              |  |
|------------------------------|--|
| <b>Battery Capacity (mA)</b> | 2x2000 (6-24 hour capacity)                                    |
| <b>Dimmable</b>              | Touch  |
| <b>Electrical Protection</b> | CLASS III  |
| <b>IP rating</b>             | IP54   |
| <b>USB Port</b>              | Yes  |
| <b>Approvals</b>             | RCM  |
| <b>Assembly Required</b>     | No   |
| <b>Box Contents</b>          | Instruction  |
| <b>Care Instructions</b>     | Do not use strong liquid cleaners, Wipe clean with a dry cloth |
| <b>Replacement Warranty</b>  | *2 Years   |

## Barcode

**GTIN** 9329501066379

## Image -dimensions



Note: Dimensions are only a guide and may vary due to manufacturing variations.

