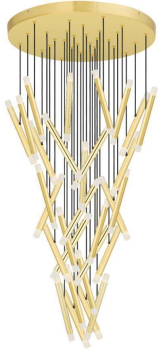


Last modification 2024-02-07

## MILAZO PE60-GD3K 9329501066508



The Milazo 60 Light Pendant is a stunning lighting centerpiece that effortlessly combines modern design and functionality. With integrated LED technology emitting a warm colour temperature of 3000k, it provides both ambient and stylish illumination. Available in striking gold and chrome finishes, this pendant light adds a touch of glamour and sophistication to any space, making it a captivating focal point in contemporary interiors.

### Overview

<b>Family name</b>	Milazo
<b>Categories</b>	Pendants
<b>Suspension Type</b>	Cable
<b>Usage</b>	Indoor Lighting
<b>ERAC Product Registration</b>	EESS-230560

### Color / Material

<b>Fixture Color</b>	Gold
<b>Fixture Finish</b>	Gloss
<b>Fixture Material</b>	Iron, Acrylic
<b>Canopy Color</b>	Gold

### Size

<b>Fixture Diameter (cm)</b>	60.0
<b>Fixture Height (cm)</b>	28.0
<b>Canopy Diameter (cm)</b>	60.0
<b>Canopy Projection (cm)</b>	4.0
<b>Suspension Length (cm)</b>	300.0
<b>Height Adjustable?</b>	Yes

### Specification

<b>Voltage Input</b>	240V
<b>Total Wattage (max)</b>	90
<b>Wattage</b>	1.5
<b>Globe Type</b>	LED integrated SMD
<b>Globe / Light Source qty</b>	60

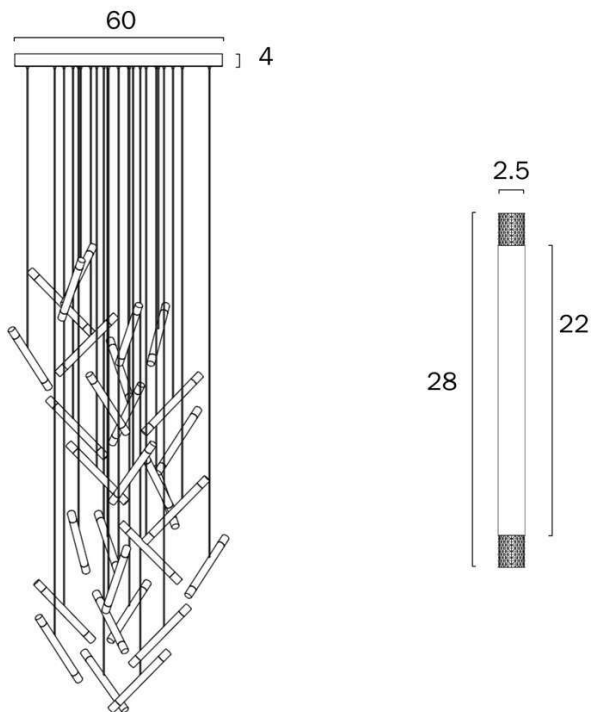
All representations within this document are subject to copyright. ELECTRICAL INSTALLATIONS MUST BE PERFORMED BY A QUALIFIED ELECTRICAL CONTRACTOR AND INSTALLED IN ACCORDANCE WITH AS/NZS 3000.  
NOTE : All images , descriptions and dimensions are indicative. Please check latest version of item detail on Telbix website prior to ordering or installation.

<b>Globe / Light Source included</b>	Yes
<b>Lumens</b>	3600
<b>Color Temperature</b>	Warm White
<b>Color Kelvin</b>	3000k
<b>Color Rendering</b>	>80
<b>Dimmable</b>	No
<b>Electrical Protection</b>	CLASS I - HIGH VOLTAGE, EARTH REQUIRED
<b>IP rating</b>	IP20
<b>Lead and Plug</b>	No
<b>Approvals</b>	RCM
<b>Installation Required</b>	Yes (by Licensed Electrician only)
<b>Care Instructions</b>	Do not use strong liquid cleaners, Wipe clean with a dry cloth
<b>Replacement Warranty</b>	*3 Years

## Barcode

**GTIN** 9329501066508

## Image -dimensions



Note: Dimensions are only a guide and may vary due to manufacturing variations.

