

Last modification

2024-02-15

## MARBELL FL-ABAM

9329501069950



The Marbell range epitomises contemporary elegance through its meticulous construction of iron and glass. Available in two refined colour options, this versatile collection offers a comprehensive selection of lighting solutions. From chic wall lights to sophisticated table and floor lamps, as well as stylish pendants and close-to-ceiling fittings, the Marbell range caters to various lighting needs. Each piece seamlessly blends durability with aesthetic appeal, making it a distinctive choice for those seeking a cohesive and modern lighting ensemble to enhance their living spaces.

### Overview

<b>Family name</b>	Marbell
<b>Categories</b>	Floor Lamps
<b>Switch</b>	Toggle Switch on base
<b>Usage</b>	Indoor Lighting
<b>ERAC Product Registration</b>	SAA-210304-EA

### Color / Material

<b>Fixture Color</b>	Antique Brass, Amber
<b>Fixture Finish</b>	Gloss
<b>Fixture Material</b>	Iron, Glass
<b>Shade Material</b>	Glass
<b>Glass Color</b>	Amber
<b>Cable Color</b>	Black
<b>Cable Material</b>	PVC

### Size

<b>Fixture Length (cm)</b>	25.0
<b>Fixture Width (cm)</b>	25.0
<b>Fixture Height (cm)</b>	160.0
<b>Base Diameter (cm)</b>	25.0
<b>Glass Diameter</b>	14.00
<b>Shade Diameter (cm)</b>	14.0
<b>Shade Height (cm)</b>	14.5
<b>Height Adjustable?</b>	Yes
<b>Cable Length (cm)</b>	200

All representations within this document are subject to copyright. ELECTRICAL INSTALLATIONS MUST BE PERFORMED BY A QUALIFIED ELECTRICAL CONTRACTOR AND INSTALLED IN ACCORDANCE WITH AS/NZS 3000.  
NOTE : All images , descriptions and dimensions are indicative. Please check latest version of item detail on Telbix website prior to ordering or installation.

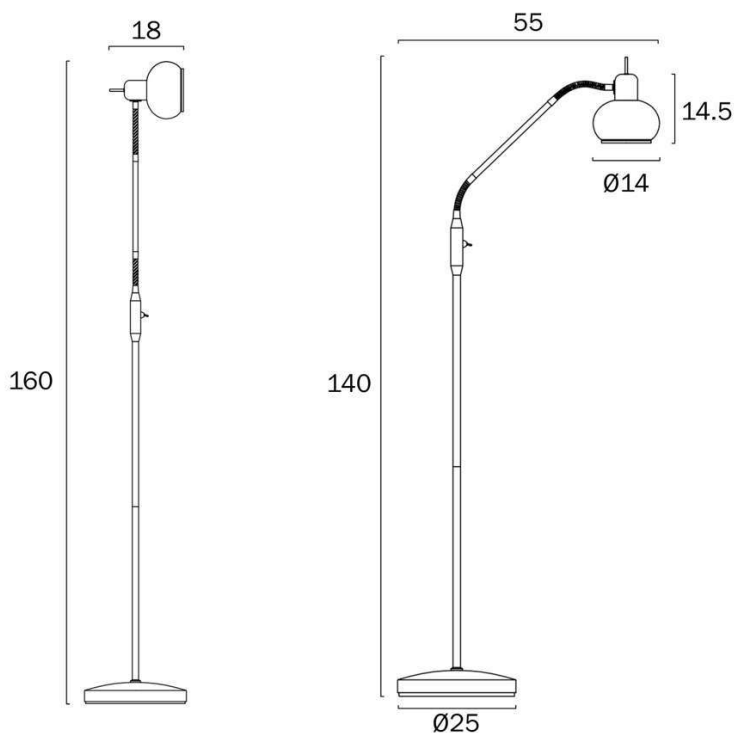
## Specification

<b>Voltage Input</b>	240V
<b>Total Wattage (max)</b>	25
<b>Globe Type</b>	E27
<b>Globe / Light Source qty</b>	1
<b>Globe / Light Source included</b>	No
<b>Dimmable</b>	Globe Dependant
<b>Electrical Protection</b>	CLASS II - DOUBLE INSULATED, EARTH NOT REQUIRED
<b>IP rating</b>	IP20
<b>Lead and Plug</b>	Yes
<b>Approvals</b>	RCM
<b>Assembly Required</b>	Yes
<b>Care Instructions</b>	Do not use strong liquid cleaners, Wipe clean with a dry cloth
<b>Replacement Warranty</b>	*3 Years

## Barcode

**GTIN** 9329501069950

## Image -dimensions



Note: Dimensions are only a guide and may vary due to manufacturing variations.

