

Last modification 2024-04-11

## MANDEL TL-WH 9329501072080



The Mandel Touch Lamp, complete with globe, is a sleek and innovative lighting solution that adds both style and convenience to any space. Crafted from iron and available in a variety of colours, it effortlessly merges contemporary design with practicality.

### Overview

<b>Family name</b>	Mandel
<b>Categories</b>	Table Lamps
<b>Switch</b>	Touch
<b>Usage</b>	Indoor Lighting

### Color / Material

<b>Fixture Color</b>	White
<b>Fixture Finish</b>	Matte
<b>Fixture Material</b>	Iron
<b>Cable Material</b>	PVC

### Size

<b>Fixture Diameter (cm)</b>	15.0
<b>Fixture Height (cm)</b>	26.5
<b>Base Diameter (cm)</b>	11.0
<b>Base Height (cm)</b>	4.0
<b>Shade Diameter (cm)</b>	15.0
<b>Shade Height (cm)</b>	7.5
<b>Height Adjustable?</b>	No
<b>Cable Length (cm)</b>	180

### Specification

<b>Voltage Input</b>	240V
<b>Total Wattage (max)</b>	5
<b>Globe Type</b>	E14
<b>Globe / Light Source qty</b>	1
<b>Globe / Light Source included</b>	Yes
<b>Color Temperature</b>	Warm White

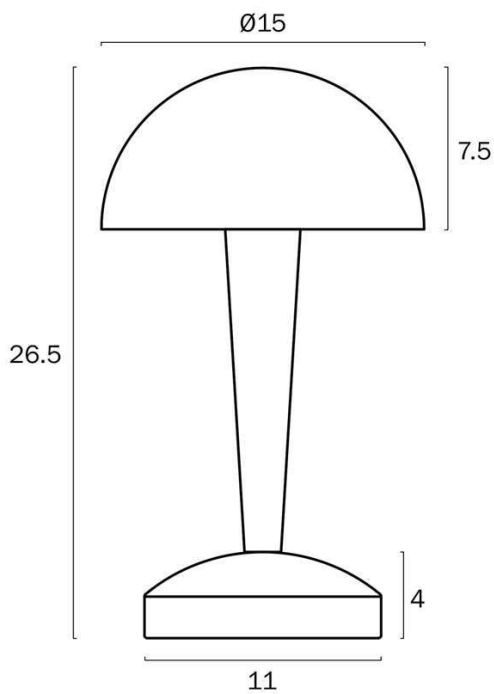
All representations within this document are subject to copyright. ELECTRICAL INSTALLATIONS MUST BE PERFORMED BY A QUALIFIED ELECTRICAL CONTRACTOR AND INSTALLED IN ACCORDANCE WITH AS/NZS 3000.  
NOTE : All images , descriptions and dimensions are indicative. Please check latest version of item detail on Telbix website prior to ordering or installation.

<b>Color Kelvin</b>	3000k
<b>Dimmable</b>	No
<b>Electrical Protection</b>	CLASS II - DOUBLE INSULATED, EARTH NOT REQUIRED
<b>IP rating</b>	IP20
<b>Lead and Plug</b>	Yes
<b>Approvals</b>	RCM
<b>Care Instructions</b>	Do not use strong liquid cleaners, Wipe clean with a dry cloth
<b>Replacement Warranty</b>	*3 Years

## Barcode

**GTIN** 9329501072080

## Image -dimensions



Note: Dimensions are only a guide and may vary due to manufacturing variations.

