

Last modification 2024-01-18

## LIVIA TL-BECM 9329501071045



The Livia table lamp is an elegant lighting solution that features a sophisticated design with a travertine base and a stylish fabric shade. This lamp is not only a functional lighting element but also a tasteful addition to any interior space. The Livia series also includes a floor lamp option, providing versatility in lighting choices. With two distinct colour options available, this lamp allows you to customise and enhance the ambiance of your room with a touch of timeless and refined style.

### Overview

<b>Family name</b>	Livia
<b>Categories</b>	Table Lamps
<b>Shade Shape</b>	Drum
<b>Switch</b>	Inline Switch
<b>Usage</b>	Indoor Lighting
<b>ERAC Product Registration</b>	SAA-210304-EA

### Color / Material

<b>Fixture Color</b>	Beige, Antique Gold, Cream
<b>Fixture Finish</b>	Gloss
<b>Fixture Material</b>	Travertine, Fabric, Iron
<b>Shade Color</b>	Cream
<b>Shade Material</b>	Fabric
<b>Cable Color</b>	Black
<b>Cable Material</b>	PVC

### Size

<b>Fixture Diameter (cm)</b>	25.0
<b>Fixture Height (cm)</b>	42.0
<b>Base Diameter (cm)</b>	11.0
<b>Shade Diameter (cm)</b>	25.0
<b>Shade Height (cm)</b>	20.0

### Specification

<b>Voltage Input</b>	240V
<b>Total Wattage (max)</b>	25

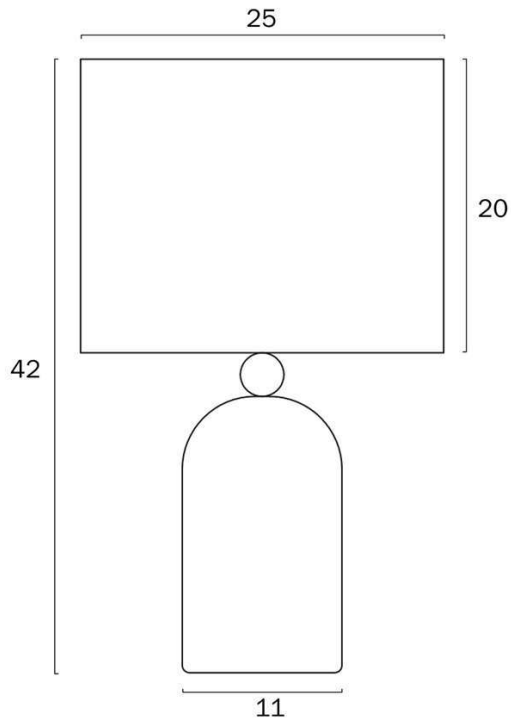
All representations within this document are subject to copyright. ELECTRICAL INSTALLATIONS MUST BE PERFORMED BY A QUALIFIED ELECTRICAL CONTRACTOR AND INSTALLED IN ACCORDANCE WITH AS/NZS 3000.  
NOTE : All images , descriptions and dimensions are indicative. Please check latest version of item detail on Telbix website prior to ordering or installation.

<b>Globe Type</b>	E27
<b>Globe / Light Source qty</b>	1
<b>Globe / Light Source included</b>	No
<b>Dimmable</b>	Globe Dependant
<b>Electrical Protection</b>	CLASS II - DOUBLE INSULATED, EARTH NOT REQUIRED
<b>IP rating</b>	IP20
<b>Lead and Plug</b>	Yes
<b>Approvals</b>	RCM
<b>Assembly Required</b>	Yes
<b>Care Instructions</b>	Do not use strong liquid cleaners, Wipe clean with a dry cloth
<b>Replacement Warranty</b>	*3 Years

## Barcode

**GTIN** 9329501071045

## Image -dimensions



Note: Dimensions are only a guide and may vary due to manufacturing variations.

