

Last modification 2022-10-20

**KEON 20-WH85**  
**9329501047590**



## Overview

|                    |                                 |
|--------------------|---------------------------------|
| <b>Family name</b> | Keon                            |
| <b>Categories</b>  | Downlights                      |
| <b>Mounting</b>    | Surface                         |
| <b>Usage</b>       | Indoor Lighting,Trade Selection |

## Color / Material

|                         |               |
|-------------------------|---------------|
| <b>Fixture Color</b>    | White         |
| <b>Fixture Finish</b>   | Powder Coated |
| <b>Fixture Material</b> | Aluminium     |
| <b>Canopy Color</b>     | White         |

## Size

|                              |      |
|------------------------------|------|
| <b>Fixture Diameter (cm)</b> | 11.5 |
| <b>Fixture Height (cm)</b>   | 13.0 |
| <b>Canopy Diameter (cm)</b>  | 10.0 |

## Specification

|                                      |  |
|--------------------------------------|--|
| <b>Voltage Input</b>                 | 240V                                   |
| <b>Wattage (max)</b>                 | 20                                     |
| <b>Globe Type</b>                    | LED integrated SMD                     |
| <b>Globe / Light Source qty</b>      | 1                                      |
| <b>Globe / Light Source included</b> | Yes                                    |
| <b>Lumens</b>                        | 1750                                   |
| <b>Color Temperature</b>             | Cool White                             |
| <b>Color Kelvin</b>                  | 5000k                                  |
| <b>Color Rendering</b>               | >84                                    |
| <b>Dimmable</b>                      | Yes                                    |
| <b>Power Factor</b>                  | >0.90                                  |
| <b>Surge Protection</b>              | Yes                                    |
| <b>Beam Angle (degree)</b>           | 40                                     |
| <b>Electrical Protection</b>         | CLASS I - HIGH VOLTAGE, EARTH REQUIRED |
| <b>IP rating</b>                     | IP20                                   |

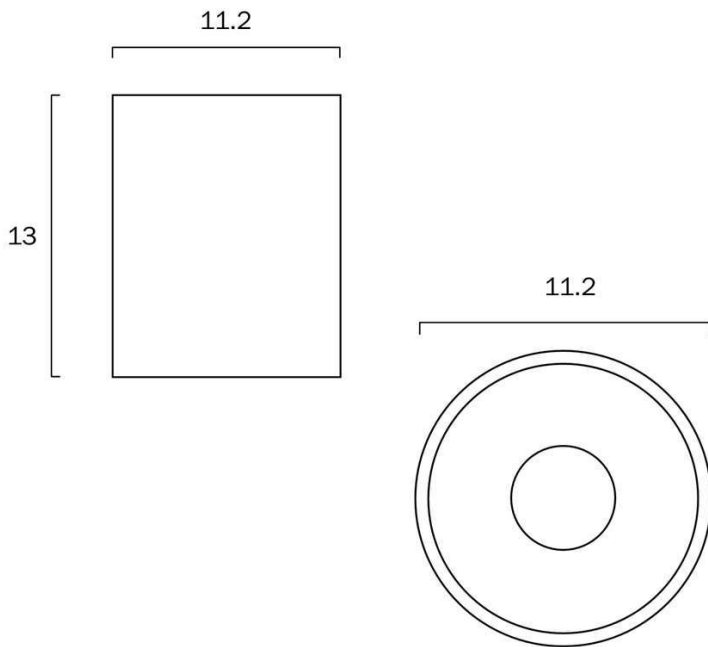
All representations within this document are subject to copyright. ELECTRICAL INSTALLATIONS MUST BE PERFORMED BY A QUALIFIED ELECTRICAL CONTRACTOR AND INSTALLED IN ACCORDANCE WITH AS/NZS 3000.  
NOTE : All images , descriptions and dimensions are indicative. Please check latest version of item detail on Telbix website prior to ordering or installation.

|                              |   |
|------------------------------|---|
| <b>Approvals</b>             | RCM   |
| <b>Box Contents</b>          | Basic mounting screws,Instruction                             |
| <b>Installation Required</b> | Yes (by Licensed Electrician only)                            |
| <b>Care Instructions</b>     | Do not use strong liquid cleaners,Wipe clean with a dry cloth |
| <b>Replacement Warranty</b>  | *3 Years  |

Barcode

**GTIN** 9329501047590

Image -dimensions



Note: Dimensions are only a guide and may vary due to manufacturing variations.



