

Last modification

2022-09-29

**FRYA PE40-NAT**  
**9329501063873**



## Overview

|                        |                 |
|------------------------|-----------------|
| <b>Family name</b>     | Frya            |
| <b>Categories</b>      | Pendants        |
| <b>Mounting</b>        | Surface         |
| <b>Suspension Type</b> | Cable           |
| <b>Usage</b>           | Indoor Lighting |

## Color / Material

|                         |                    |
|-------------------------|--------------------|
| <b>Fixture Color</b>    | Natural,White Matt |
| <b>Fixture Material</b> | Rattan,Iron        |
| <b>Canopy Color</b>     | White              |
| <b>Cable Color</b>      | White              |
| <b>Cable Material</b>   | PVC                |

## Size

|                               |       |
|-------------------------------|-------|
| <b>Fixture Diameter (cm)</b>  | 40.0  |
| <b>Fixture Height (cm)</b>    | 23.0  |
| <b>Canopy Diameter (cm)</b>   | 10.0  |
| <b>Canopy Projection (cm)</b> | 2.5   |
| <b>Suspension Length (cm)</b> | 150.0 |
| <b>Height Adjustable?</b>     | Yes   |

## Specification

|                                      |  |
|--------------------------------------|--|
| <b>Voltage Input</b>                 | 240V                                   |
| <b>Wattage (max)</b>                 | 25                                     |
| <b>Globe Type</b>                    | E27                                    |
| <b>Globe / Light Source qty</b>      | 1                                      |
| <b>Globe / Light Source included</b> | No                                     |
| <b>Electrical Protection</b>         | CLASS I - HIGH VOLTAGE, EARTH REQUIRED |
| <b>IP rating</b>                     | IP20                                   |
| <b>Approvals</b>                     | RCM                                    |
| <b>Box Contents</b>                  | Basic mounting screws,Instruction      |
| <b>Installation Required</b>         | Yes (by Licensed Electrician only)     |

All representations within this document are subject to copyright.ELECTRICAL INSTALLATIONS MUST BE PERFORMED BY A QUALIFIED ELECTRICAL CONTRACTOR AND INSTALLED IN ACCORDANCE WITH AS/NZS 3000.  
NOTE : All images , descriptions and dimensions are indicative. Please check latest version of item detail on Telbix website prior to ordering or installation.

**Care Instructions**

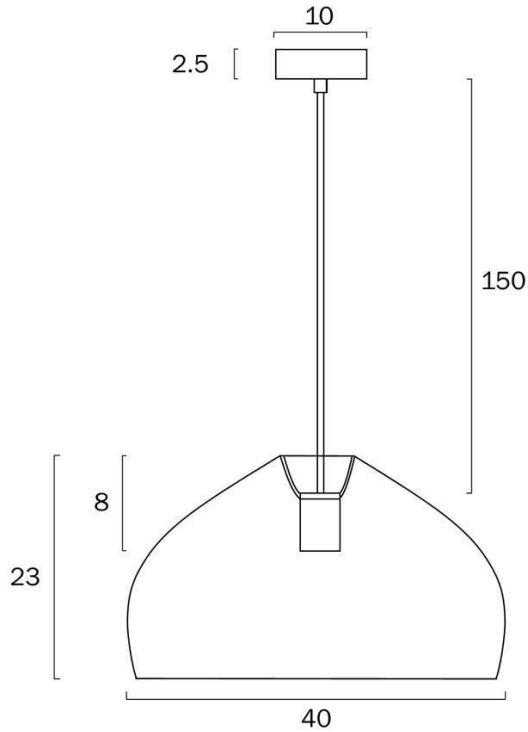
Do not use strong liquid cleaners,Wipe clean with a dry cloth

**Warranty**

\*3 Years

**Barcode****GTIN**

9329501063873

**Image -dimensions**

Note: Dimensions are only a guide and may vary due to manufacturing variations.

