

Last modification

2023-05-02

## FEVIK TLM-WHTRIV

9329501064764



The FEVIK table lamp is a modern and on-trend lighting option for any room in your home. This lamp is available with a terrazzo or concrete base, adding a touch of industrial and minimalistic style to the design. The matching fabric shade provides a warm, diffused light, making it perfect for reading or relaxing. The lamp comes in two different sizes, allowing you to choose the one that best fits your space. With its unique combination of materials and design, the FEVIK table lamp is sure to be a stylish and functional addition to any room in your home, whether it's a living room, bedroom or office. Upgrade your space with this contemporary and stylish lamp.

### Overview

<b>Family name</b>	Fevik
<b>Categories</b>	Table Lamps
<b>This item includes</b>	Shade
<b>Shade Shape</b>	Drum
<b>Switch</b>	Inline Switch
<b>Usage</b>	Indoor Lighting
<b>ERAC Product Registration</b>	GMA-510402

### Color / Material

<b>Fixture Color</b>	Ivory, White
<b>Fixture Material</b>	Fabric, Iron, Terrazzo
<b>Shade Color</b>	Ivory
<b>Shade Material</b>	Linen, Plastic
<b>Base Color</b>	White Terrazzo
<b>Base Material</b>	Iron, Terrazzo
<b>Cable Color</b>	Black
<b>Cable Material</b>	PVC

### Size

<b>Fixture Diameter (cm)</b>	30.0
<b>Fixture Height (cm)</b>	50.0
<b>Base Diameter (cm)</b>	14.0
<b>Base Height (cm)</b>	27.0
<b>Shade Diameter (cm)</b>	30.0
<b>Shade Height (cm)</b>	23.0

All representations within this document are subject to copyright. ELECTRICAL INSTALLATIONS MUST BE PERFORMED BY A QUALIFIED ELECTRICAL CONTRACTOR AND INSTALLED IN ACCORDANCE WITH AS/NZS 3000.  
NOTE : All images , descriptions and dimensions are indicative. Please check latest version of item detail on Telbix website prior to ordering or installation.

**Cable Length (cm)** 180 (30+Inline Switch+150)

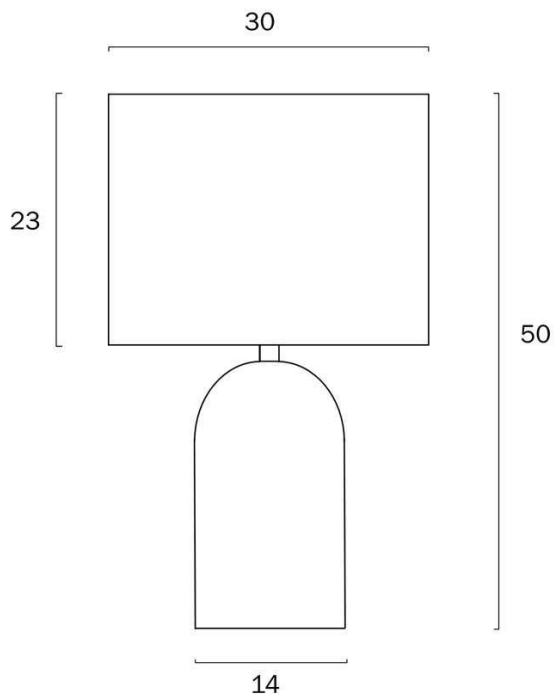
## Specification

**Voltage Input** 240V  
**Wattage (max)** 25  
**Globe Type** E27  
**Globe / Light Source qty** 1  
**Globe / Light Source included** No  
**Dimmable** Globe Dependant  
**Electrical Protection** CLASS II - DOUBLE INSULATED, EARTH NOT REQUIRED  
**IP rating** IP20  
**Lead and Plug** Yes  
**Approvals** RCM  
**Assembly Required** Yes  
**Box Contents** Instruction  
**Care Instructions** Do not use strong liquid cleaners, Wipe clean with a dry cloth  
**Replacement Warranty** \*3 Years

## Barcode

**GTIN** 9329501064764

## Image -dimensions



Note: Dimensions are only a guide and may vary due to manufacturing variations.

