

Last modification 2022-08-10

**DIAZ TL-BKWH**  
**9329501059739**



## Overview

|                           |                 |
|---------------------------|-----------------|
| <b>Family name</b>        | Diaz            |
| <b>Categories</b>         | Table Lamps     |
| <b>This item includes</b> | Shade           |
| <b>Shade Shape</b>        | Drum            |
| <b>Switch</b>             | Inline Switch   |
| <b>Usage</b>              | Indoor Lighting |

## Color / Material

|                         |                |
|-------------------------|----------------|
| <b>Fixture Color</b>    | Black,White    |
| <b>Fixture Finish</b>   | Gloss          |
| <b>Fixture Material</b> | Fabric,Ceramic |
| <b>Shade Color</b>      | White          |
| <b>Shade Material</b>   | Fabric,Plastic |
| <b>Base Color</b>       | Black          |
| <b>Base Material</b>    | Ceramic        |
| <b>Cable Color</b>      | Black          |
| <b>Cable Material</b>   | PVC            |



## Size

|                              |                            |
|------------------------------|----------------------------|
| <b>Fixture Diameter (cm)</b> | 33.0                       |
| <b>Fixture Height (cm)</b>   | 54.0                       |
| <b>Base Diameter (cm)</b>    | 26.0                       |
| <b>Shade Diameter (cm)</b>   | 33.0                       |
| <b>Shade Height (cm)</b>     | 23.0                       |
| <b>Cable Length (cm)</b>     | 180 (30+Inline Switch+150) |

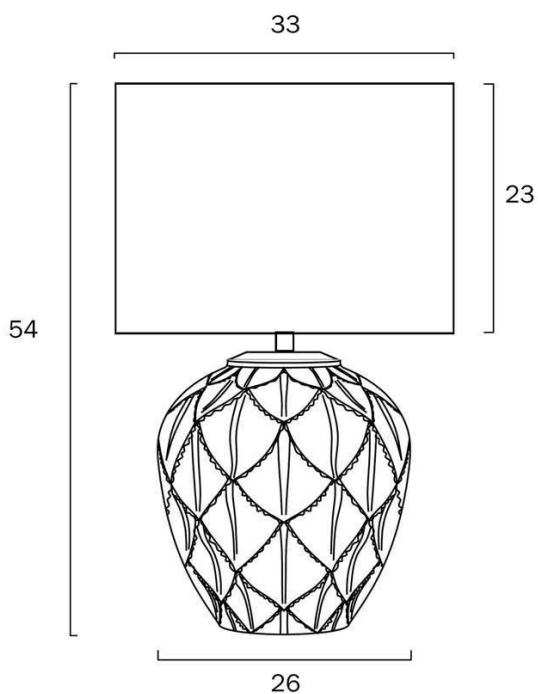
## Specification

|                                      |   |
|--------------------------------------|---|
| <b>Voltage Input</b>                 | 240V  |
| <b>Wattage (max)</b>                 | 25  |
| <b>Globe Type</b>                    | E27   |
| <b>Globe / Light Source qty</b>      | 1   |
| <b>Globe / Light Source included</b> | No  |
| <b>Electrical Protection</b>         | CLASS II - DOUBLE INSULATED, EARTH NOT REQUIRED               |
| <b>IP rating</b>                     | IP20  |
| <b>Lead and Plug</b>                 | Yes   |
| <b>Approvals</b>                     | RCM   |
| <b>Assembly Required</b>             | Yes   |
| <b>Box Contents</b>                  | Instruction   |
| <b>Care Instructions</b>             | Do not use strong liquid cleaners,Wipe clean with a dry cloth |
| <b>Warranty</b>                      | 3 Years   |

## Barcode

**GTIN** 9329501059739

## Image -dimensions



Note: Dimensions are only a guide and may vary due to manufacturing variations.

