

Last modification

2023-11-23

## DARIEN PE6-ASH 9329501067550



Elevate your space with the Darien bespoke pendant—a symphony of natural beauty and farmhouse chic. Crafted with a Canadian ash outer ring and square tube iron arms, it seamlessly marries organic elements with a touch of modernity. The recommended candle globe light source crowns the perimeter, casting a warm, inviting glow. Experience the fusion of rustic charm and contemporary design, as the Darien pendant becomes the focal point of your interior.

### Overview

<b>Family name</b>	Darien
<b>Categories</b>	Pendants
<b>Suspension Type</b>	Chain
<b>Usage</b>	Indoor Lighting

### Color / Material

<b>Fixture Color</b>	Ash, Black Matt
<b>Fixture Material</b>	Wood, Iron

### Size

<b>Fixture Diameter (cm)</b>	66.0
<b>Fixture Height (cm)</b>	56.0
<b>Canopy Diameter (cm)</b>	14.0
<b>Canopy Projection (cm)</b>	2.3
<b>Suspension Length (cm)</b>	200.0
<b>Height Adjustable?</b>	Yes

### Specification

<b>Voltage Input</b>	240V
<b>Total Wattage (max)</b>	150
<b>Wattage</b>	25
<b>Globe Type</b>	E14
<b>Globe / Light Source qty</b>	6
<b>Globe / Light Source included</b>	No
<b>Electrical Protection</b>	CLASS I - HIGH VOLTAGE, EARTH REQUIRED
<b>IP rating</b>	IP20

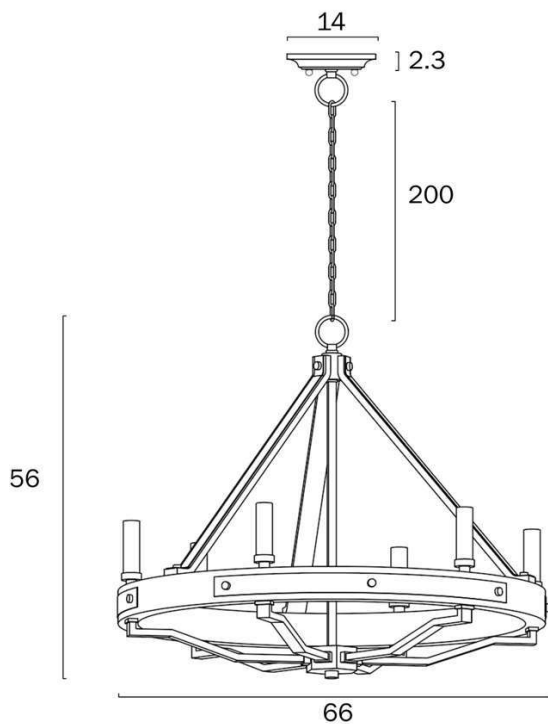
All representations within this document are subject to copyright. ELECTRICAL INSTALLATIONS MUST BE PERFORMED BY A QUALIFIED ELECTRICAL CONTRACTOR AND INSTALLED IN ACCORDANCE WITH AS/NZS 3000. NOTE : All images , descriptions and dimensions are indicative. Please check latest version of item detail on Telbix website prior to ordering or installation.

<b>Approvals</b>	RCM
<b>Box Contents</b>	Basic mounting screws, Instruction
<b>Installation Required</b>	Yes (by Licensed Electrician only)
<b>Care Instructions</b>	Do not use strong liquid cleaners, Wipe clean with a dry cloth
<b>Replacement Warranty</b>	*3 Years

## Barcode

**GTIN** 9329501067550

## Image -dimensions



Note: Dimensions are only a guide and may vary due to manufacturing variations.

