

Last modification 2023-11-24

**COSCA EX180-BKSM**  
**9329501066218**



## Overview

<b>Family name</b>	Cosca
<b>Categories</b>	Coach Lights
<b>Usage</b>	Outdoor Lighting

## Color / Material

<b>Fixture Color</b>	Black
<b>Fixture Finish</b>	Matte
<b>Fixture Material</b>	Aluminium, Glass
<b>Glass Color</b>	Smoke

## Size

<b>Fixture Width (cm)</b>	18.0
<b>Fixture Height (cm)</b>	32.0
<b>Fixture Projection (cm)</b>	17.0

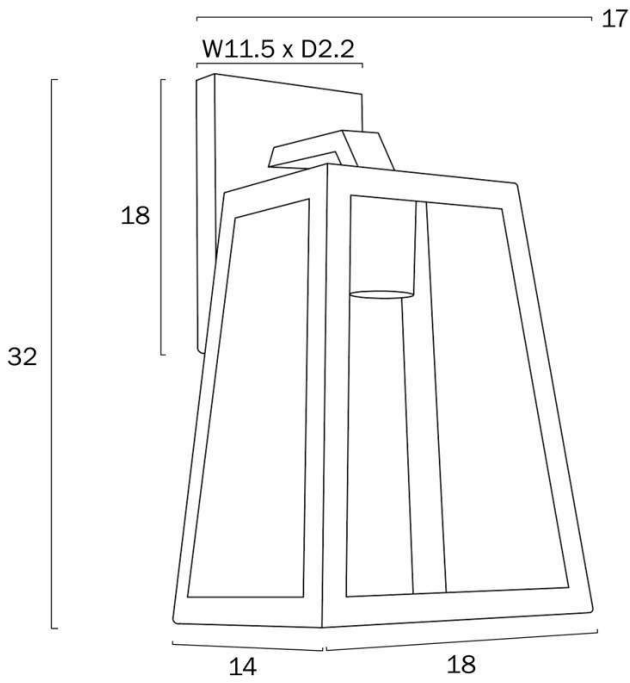
## Specification

<b>Voltage Input</b>	240V
<b>Total Wattage (max)</b>	25
<b>Globe Type</b>	E27
<b>Globe / Light Source qty</b>	1
<b>Electrical Protection</b>	CLASS I - HIGH VOLTAGE, EARTH REQUIRED
<b>IP rating</b>	IP43
<b>Lead and Plug</b>	No
<b>Approvals</b>	RCM
<b>Installation Required</b>	Yes (by Licensed Electrician only)
<b>Care Instructions</b>	Do not use strong liquid cleaners, Wipe clean with a dry cloth
<b>Replacement Warranty</b>	*3 Years

## Barcode

<b>GTIN</b>	9329501066218
-------------	---------------

## Image -dimensions



Note: Dimensions are only a guide and may vary due to manufacturing variations.

