

Last modification 2024-02-02

**CHAD TL-WDBK**  
**9329501070857**



The Chad Lamp series features a contemporary design with a sturdy wood and iron base and sleek black fabric shade. Available in table and floor lamp options.

## Overview

<b>Family name</b>	Chad
<b>Categories</b>	Table Lamps
<b>Switch</b>	Inline Switch
<b>Usage</b>	Indoor Lighting
<b>ERAC Product Registration</b>	SAA-210304-EA

## Color / Material

<b>Fixture Color</b>	Wood, Black
<b>Fixture Finish</b>	Matte
<b>Fixture Material</b>	Wood, Iron, Fabric
<b>Shade Color</b>	Black
<b>Shade Material</b>	Cotton TC
<b>Cable Color</b>	Black
<b>Cable Material</b>	PVC

## Size

<b>Fixture Diameter (cm)</b>	33.0
<b>Fixture Width (cm)</b>	33.0
<b>Fixture Height (cm)</b>	57.0
<b>Base Diameter (cm)</b>	15.0
<b>Shade Diameter (cm)</b>	33.0
<b>Shade Height (cm)</b>	22.0
<b>Height Adjustable?</b>	No
<b>Cable Length (cm)</b>	180 (30+Inline Switch+150)

## Specification

<b>Voltage Input</b>	240V
<b>Total Wattage (max)</b>	25

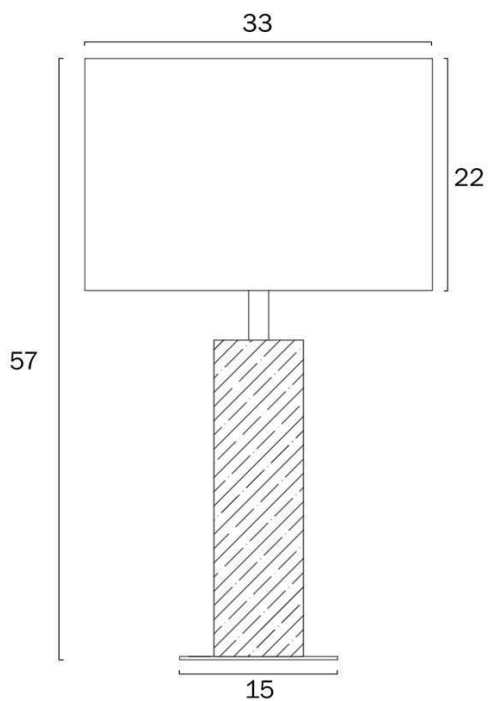
All representations within this document are subject to copyright. ELECTRICAL INSTALLATIONS MUST BE PERFORMED BY A QUALIFIED ELECTRICAL CONTRACTOR AND INSTALLED IN ACCORDANCE WITH AS/NZS 3000. NOTE : All images , descriptions and dimensions are indicative. Please check latest version of item detail on Telbix website prior to ordering or installation.

<b>Globe Type</b>	E27
<b>Globe / Light Source qty</b>	1
<b>Globe / Light Source included</b>	No
<b>Dimmable</b>	Globe Dependant
<b>Electrical Protection</b>	CLASS II - DOUBLE INSULATED, EARTH NOT REQUIRED
<b>IP rating</b>	IP20
<b>Lead and Plug</b>	Yes
<b>Approvals</b>	RCM
<b>Assembly Required</b>	Yes
<b>Care Instructions</b>	Do not use strong liquid cleaners, Wipe clean with a dry cloth
<b>Replacement Warranty</b>	*3 Years

## Barcode

**GTIN** 9329501070857

## Image -dimensions



Note: Dimensions are only a guide and may vary due to manufacturing variations.

