

Last modification 2024-05-10

**BREVIK TL-BK**  
**9329501069592**



Introducing the versatile Brevik range of table and floor lamps, blending sleek design with robust iron construction in a satin finish. These lamps not only exude style but also offer practicality with their adjustable shades. Available in a variety of modern colorways including timeless black, beige, green, and orange, the Brevik lamps are designed to enhance any interior decor scheme. Illuminate your space with both elegance and functionality with the Brevik range.

## Overview

<b>Family name</b>	Brevik
<b>Categories</b>	Table Lamps
<b>Usage</b>	Indoor Lighting
<b>ERAC Product Registration</b>	SAA-210304-EA

## Color / Material

<b>Fixture Color</b>	Black
<b>Fixture Pantone Color</b>	RAL 7021
<b>Fixture Finish</b>	Satin
<b>Fixture Material</b>	Iron

## Size

<b>Fixture Length (cm)</b>	29.0
<b>Fixture Width (cm)</b>	20.0
<b>Fixture Height (cm)</b>	42.0
<b>Base Diameter (cm)</b>	18.0
<b>Cable Length (cm)</b>	180

## Specification

<b>Voltage Input</b>	240V
<b>Total Wattage (max)</b>	25
<b>Globe Type</b>	E27
<b>Globe / Light Source qty</b>	1
<b>Globe / Light Source included</b>	No
<b>Dimmable</b>	Globe Dependant
<b>Electrical Protection</b>	CLASS II - DOUBLE INSULATED, EARTH NOT REQUIRED

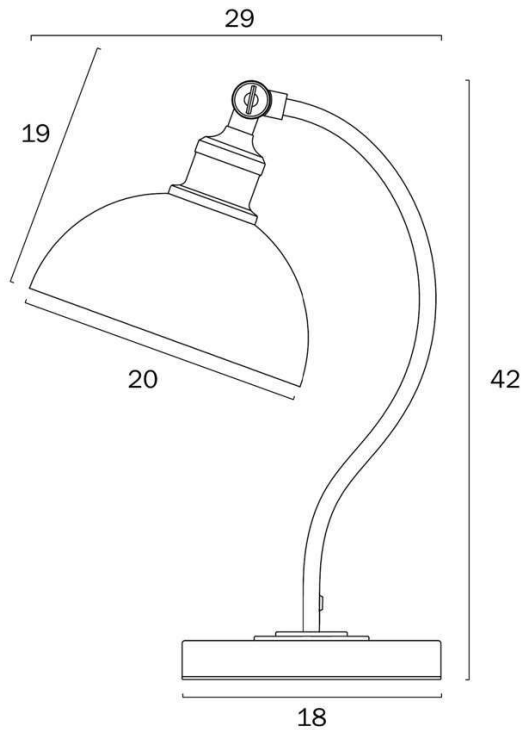
All representations within this document are subject to copyright. ELECTRICAL INSTALLATIONS MUST BE PERFORMED BY A QUALIFIED ELECTRICAL CONTRACTOR AND INSTALLED IN ACCORDANCE WITH AS/NZS 3000.  
NOTE : All images , descriptions and dimensions are indicative. Please check latest version of item detail on Telbix website prior to ordering or installation.

<b>IP rating</b>	IP20
<b>Lead and Plug</b>	Yes
<b>Approvals</b>	RCM
<b>Care Instructions</b>	Do not use strong liquid cleaners, Wipe clean with a dry cloth
<b>Replacement Warranty</b>	*3 Years

Barcode

**GTIN** 9329501069592

Image -dimensions



Note: Dimensions are only a guide and may vary due to manufacturing variations.