

Last modification 2024-04-05

## ANTERA PE40-NAT 9329501072004



The Antera pendant exudes a delightful coastal and boho vibe, effortlessly blending relaxed charm with timeless style. Available in two sizes, its airy design and organic textures evoke the serenity of coastal living while infusing spaces with a laid-back bohemian flair. Whether hung solo or in clusters, the Antera pendant radiates warmth and character, making it an enchanting focal point for any interior seeking a touch of coastal-inspired elegance.

### Overview

<b>Family name</b>	Antera
<b>Categories</b>	Pendants
<b>Mounting</b>	Surface
<b>Suspension Type</b>	Cable
<b>Usage</b>	Indoor Lighting

### Color / Material

<b>Fixture Color</b>	Natural
<b>Fixture Finish</b>	Natural, Matte
<b>Fixture Material</b>	Paper, Iron
<b>Canopy Color</b>	Black
<b>Cable Color</b>	Black
<b>Cable Material</b>	Textile

### Size

<b>Fixture Diameter (cm)</b>	40.0
<b>Fixture Height (cm)</b>	20.0
<b>Canopy Diameter (cm)</b>	12.0
<b>Canopy Projection (cm)</b>	2.5
<b>Suspension Length (cm)</b>	200.0
<b>Height Adjustable?</b>	Yes
<b>Cable Length (cm)</b>	200

### Specification

<b>Voltage Input</b>	240V
<b>Total Wattage (max)</b>	25

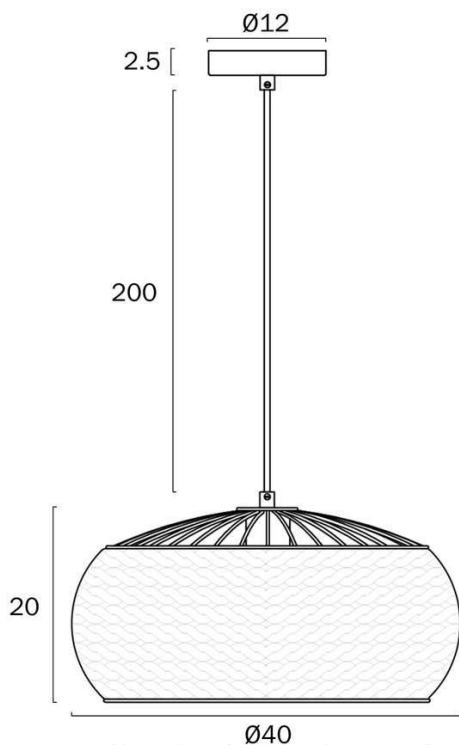
All representations within this document are subject to copyright. ELECTRICAL INSTALLATIONS MUST BE PERFORMED BY A QUALIFIED ELECTRICAL CONTRACTOR AND INSTALLED IN ACCORDANCE WITH AS/NZS 3000.  
NOTE : All images , descriptions and dimensions are indicative. Please check latest version of item detail on Telbix website prior to ordering or installation.

<b>Globe Type</b>	E27
<b>Globe / Light Source qty</b>	1
<b>Globe / Light Source included</b>	No
<b>Dimmable</b>	Globe Dependant
<b>Electrical Protection</b>	CLASS I - HIGH VOLTAGE, EARTH REQUIRED
<b>IP rating</b>	IP20
<b>Lead and Plug</b>	No
<b>Approvals</b>	RCM
<b>Assembly Required</b>	Yes
<b>Installation Required</b>	Yes (by Licensed Electrician only)
<b>Care Instructions</b>	Do not use strong liquid cleaners, Wipe clean with a dry cloth
<b>Replacement Warranty</b>	*3 Years

## Barcode

**GTIN** 9329501072004

## Image -dimensions



Note: Dimensions are only a guide and may vary due to manufacturing variations.