

# Commercial Range

## Wall Washers/Uplighters

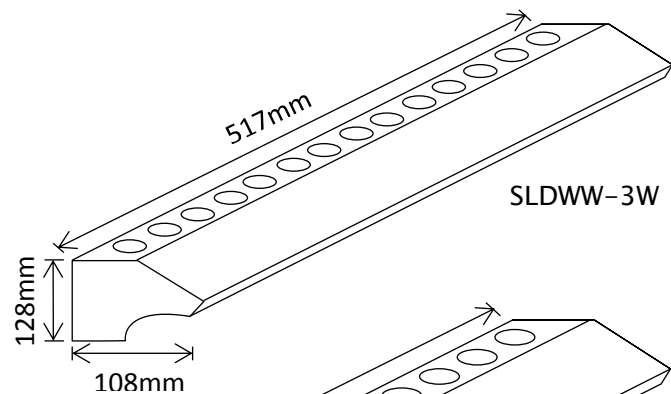
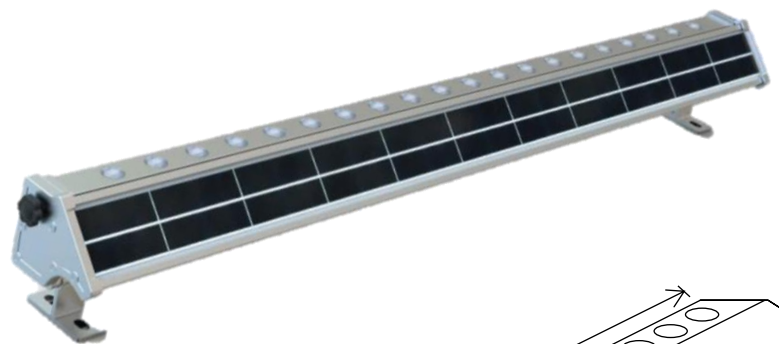
### Wall Washer

Product Code	LED's	Battery	Solar Panel	IP Rating	Lumens
SLDWW-3W	10 x SMD LEDs @ 0.2Wea (WW)	1 x 16.28WH Li-Ion	4W Integrated Polycrystalline	65	250 @ 1m
SLDWW-6W	20 x SMD LEDs @ 0.2Wea (Warm White)	1 x 34.48WH Li-Ion	7.5W Integrated Polycrystalline	65	500 @ 1m

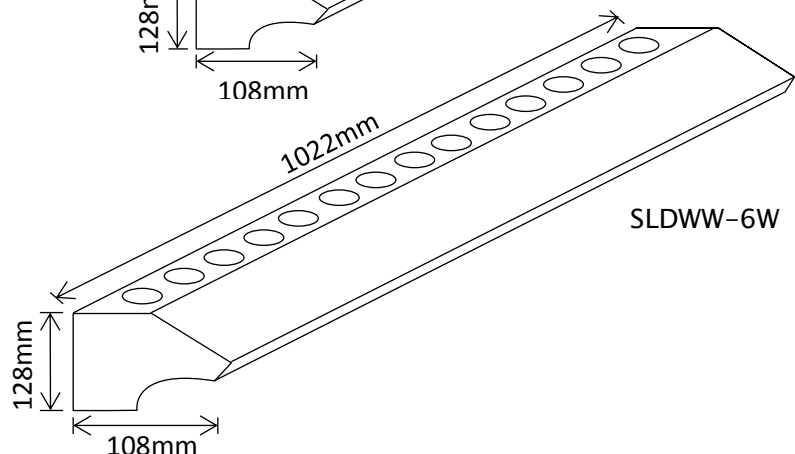
#### Features:

- Extruded Aluminium Construction
- Approximately 6-8 hours Operation
- Adjustable LED Tube & Bracket
- Surface Mounted Base
- SLDWW-3W Lighting Modes =
  - o 100% output for 6 hours, 15% output until dawn
  - o 100% output for 5 hours, 15% output for 6 hours
- SLDWW-6W Lighting Mode =
  - o 100% output for 5 hours, 15% output for 6 hours

**2 Year Warranty!**



SLDWW-3W



SLDWW-6W

#### Packaged Fitting Weight & Dimensions

SLDWW-3W: W: 2.4kg  
D: 60cm x 20cm x 20cm

SLDWW-12W: W: 4.5kg  
D: 104cm x 16cm x 13cm