

Industrial Range

Street Lights

Street Light w/ Integrated IP Camera

Product Code	LED's	Battery	Solar Panel	IP Rating	Lumens
SLDSTL-30W/CAM-SII	30 x 3030 LumiLED (Cool White)	1 x 11.1V 27.3Ah Li-Ion	18vDC 60W Integrated Polycrystalline	66	3000-3300 @ 1m

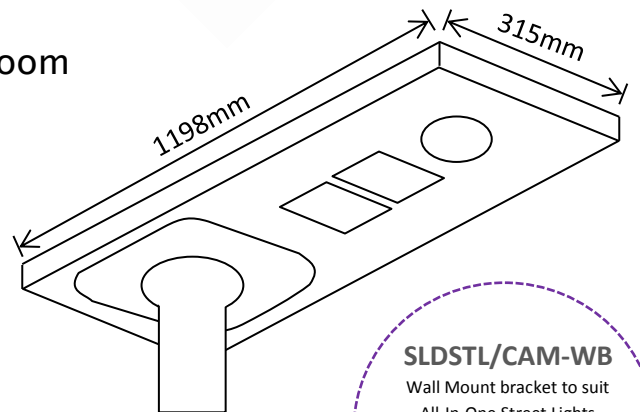
Features:

- All-In-One Construction
- Approximately 7 hour Charging Time
- Integrated PIR Sensor:
 - 100% Brightness for approx. 10 minutes when sensor is triggered
- Strength & Durability Rating: IK08
- Aluminium Alloy & PMMA Construction

Camera Features:

- 3 Mega Pixels
- Pan, Tilt & Zoom lens control, 2.7-13.5mm Zoom
- 90* viewing angle with 360* rotation
- Internet Protocol (IP) with Wifi
- ONVIF Compatible
- Infrared Vision Technology
- 64GB TF Storage Card

2 Year Warranty!



Internal Diameter – Ø76mm

Packaged Fitting Weight & Dimensions

W: 13.4kg

D: 126cm x 42cm x 17cm