

Residential Range

Post Lights

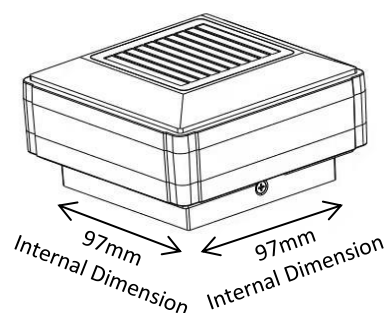
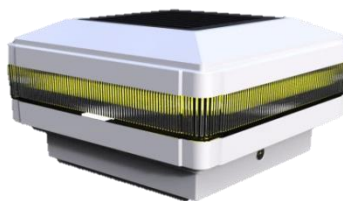
Post Top – FTYP (Fit to Your Post)

Product Code	LED's	Battery	Solar Panel	IP Rating	Lumens
SLDPT3W/BLK	SMD LED 3W (WW)	1 x 3.7V 2Ah Li-ion	1.2W Integrated Polycrystalline	65	150 @ 1m
SLDPT3W/WHT	SMD LED 3W (CW)	1 x 3.7V 2Ah Li-ion	1.2W Integrated Polycrystalline	65	150 @ 1m

Features:

- ABS Resin Construction
- Approximately 12 hours Operation
- Includes fixing bracket for posts/poles smaller than 97mm
- Colour – Black or White

1 Year Warranty!



Packaged Fitting Weight & Dimensions

W: 0.4kg

D: 14cm x 14cm x 8cm