

Commercial Range

Pillar Lights

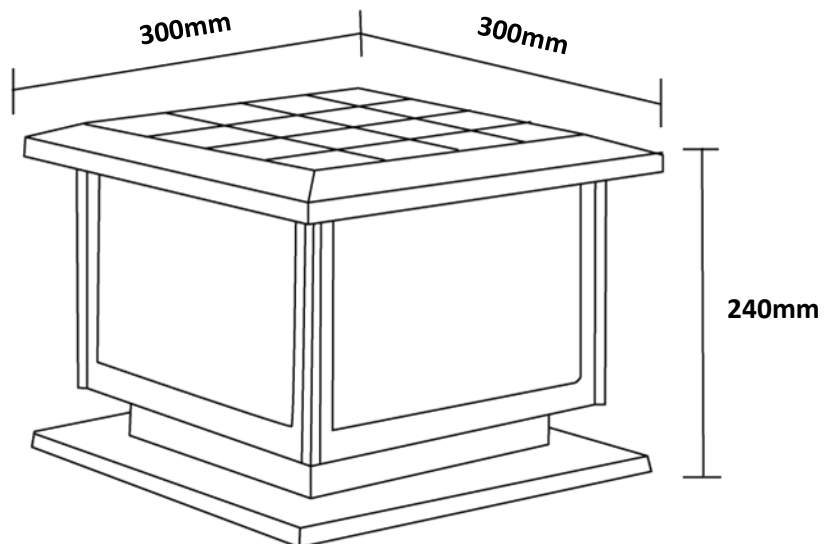
Small Square Commercial Pillar Light

Product Code	LED's	Battery	Solar Panel	IP Rating	Lumens
SLDPIL2009/BLK-TC	48 LED (Tri Colour)	4500mAh LiFePo4	5w	44	700

Features:

- Automatic Day/Night Detection
- Die Cast Aluminium Frame
- High Quality Black Powder Coating
- Approximately 10-12 hours Operation
- 6 Hours Charging Time
- 2 Brightness settings
- Tri-colour LED technology
 - Colour Temperatures: 3000k/4000k/6000k

2 Year Warranty!



Definitions:

TC = Tri Colour

BLK = Black

Packaged Fitting Weight & Dimensions

W: 2.9kg

D: 37cm x 37cm x 35cm