

Pillar Light with Motion Sensor



31x SMD LEDs
@ 0.2Wea



1x 4000mAH
NiMH Batteries



4W Built-In
Solar Panel



Dust & Water
Protection



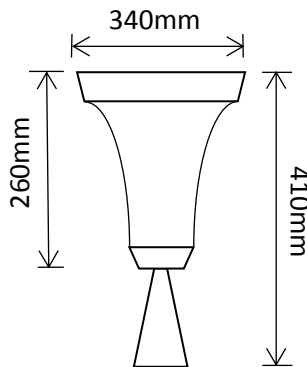
Aluminium Alloy
Construction



350 Lumens at 1
metre



SLDPIL0008A-6.2W-PIR

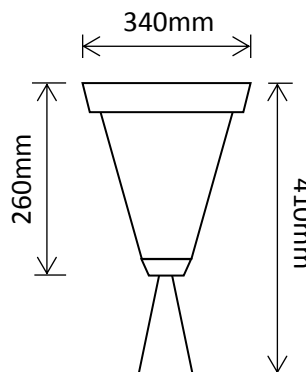


Features:

- Pyro-electric Infrared Sensor
- Manual Over-Ride on Sensor
- Built in Photo Electric Cell
- 1minute Sensor Run Time
- 8-10 hours Operation per day
- Surface Mounted Base
- Black Powder Coated
- Glass Lampshade



SLDPIL0018A-6.2W-PIR



Features:

- Pyro-electric Infrared Sensor
- Manual Over-Ride on Sensor
- Built in Photo Electric Cell
- 1minute Sensor Run Time
- 8-10 hours Operation per day
- Surface Mounted Base
- Black Powder Coated
- Glass Lampshade

Refer to pages 80-81 for motion sensor operating specs

