

# Commercial Range

## Wall Washers / Uplighters

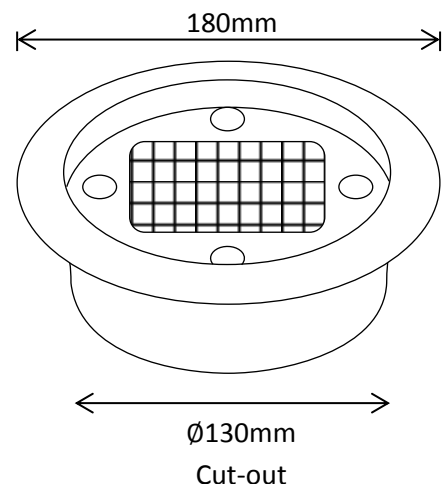
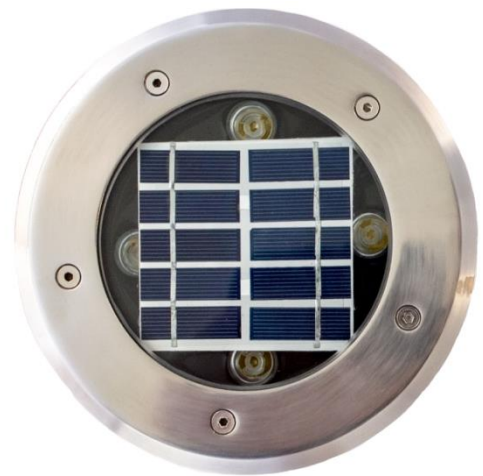
### In-Ground Uplighter

Product Code	LED's	Battery	Solar Panel	IP Rating	Lumens
SLDIG-4W	4 x Epistar 5050 LEDs @ 1Wea (Warm White)	1 x 12V 4Ah Lithium	6V Integrated Polycrystalline	65	360 @ 1m

#### Features:

- Stainless Steel Construction
- Approximately 6 hours Operation
- Max Walk Over Pressure - 100kg
- Recessed Mounting Position
- Tempered Glass
- Depth:
  - o Without Recessing Frame = 65mm
  - o With Recessing Frame = 90mm

**2 Year Warranty!**



#### Packaged Fitting Weight & Dimensions

W: 1.3kg

D: 18.5cm x 18.5cm x 10cm